

SIMPLICITY 6, 16 & 35 ORDER FORM

Company

Order Reference

Delivery Address:

Thank you for your recent order for a Simplicity Canopy/Carport /Veranda system (Please circle where required and ensure all sections are complete). Can you please send the following information to orders@milwoodgroup.com

Simplicity 6

Simplicity 16

Simplicity 35

We will be processing your order shortly and therefore it is really important to get the actual measurements of your order accurate. Based on the information you provide we will be cutting your order to suit.

HEIGHT OF SYSTEM FROM GROUND LEVEL TO THE BOTTOM OF THE WALL PLATE (See Ref A)

2300

HEIGHT OF SYSTEM FROM GROUND LEVEL TO THE BOTTOM OF THE GUTTER (See Ref B)

2100

TOTAL LENGTH OF SYSTEM (See Ref C)

1800

TOTAL PROJECTION OF SYSTEM. THIS IS MEASURED FROM THE WALL TO THE POSITION OF THE OUTSIDE FACE OF THE GUTTER SECTION (MAX WIDTH) (See Ref D in illustration)

1000

ADDITIONAL COMPONENTS REQUIRED: x1 Base Casting x2 Gallows Brackets

COLOUR REQUIRED: STANDARD WHITE YES/NO or RAL COLOUR: MATT/GLOSS

RAL:

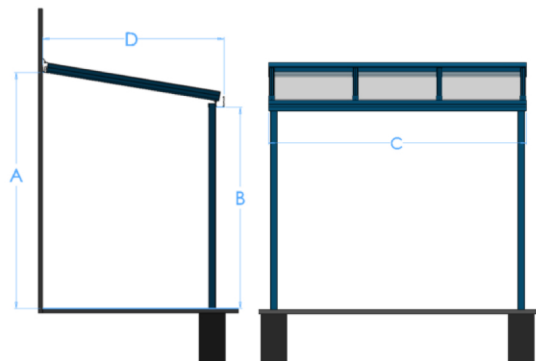
POSTS: In the Ground YES/NO or Bolted to the Ground YES/NO

PLASTIC DOWNPIPES REQUIRED? YES NO WHITE/BLACK

SIMPLICITY 6 ONLY. LED Lighting YES/NO On Wall Plate YES/NO
Inside of Gutter YES/NO
Both YES/NO

ROOF OPTION: POLYCARBONATE YES NO clear/bronze/opal
6mm GLASS YES/NO Self Cleaning YES NO (Minimum 10 degrees)

VICTORIAN UPGRADES SIMPLICITY 6 & 16: YES NO BASECASTINGS YES NO GALLOWS BRACKETS YES NO
VICTORIAN UPGRADES



~~SIMPLICITY 35: YES/NO
BASECASTINGS YES/NO
GALLOWS BRACKETS YES/NO
COLUMN SLEEVE YES/NO~~

HEATERS:

The infrared wall mounted heaters have ceramic elements that are designed to gently warm adults and children whilst outdoors under a covered structure such as a canopy using Far Infrared technology.

Order Code	Power Output (No. of Elements)	Size	Ceramic Plate Colour	Option
MW-800B	0.8kW (2X 400 W)	509 x 100 x 166 mm	Black	YES/NO
MW-800W	0.8kW (2X 400 W)	509 x 100 x 166 mm	White	YES/NO
MW-1000B	1.0kW (2X 500 W)	509 x 100 x 166 mm	Black	YES/NO
MW-1000W	1.0kW (2X 500 W)	509 x 100 x 166 mm	White	YES/NO
MW-1300B	1.3kW (2X 650 W)	509 x 100 x 166 mm	Black	YES/NO
MW-1300W	1.3kW (2X 650 W)	509 x 100 x 166 mm	White	YES/NO
MW-1200B	1.2kW (3X 400 W)	750 x 100 x 166 mm	Black	YES/NO
MW-1200W	1.2kW (3X 400 W)	760 x 100 x 166 mm	White	YES/NO
MW-1500B	1.5kW (3X 500 W)	760 x 100 x 166 mm	Black	YES/NO
MW-1500W	1.5kW (3X 500 W)	760 x 100 x 166 mm	White	YES/NO
MW-1950B	1.95kW (3X 650 W)	760 x 100 x 166 mm	Black	YES/NO
MW-1950W	1.95kW (3X 650 W)	760 x 100 x 166 mm	White	YES/NO

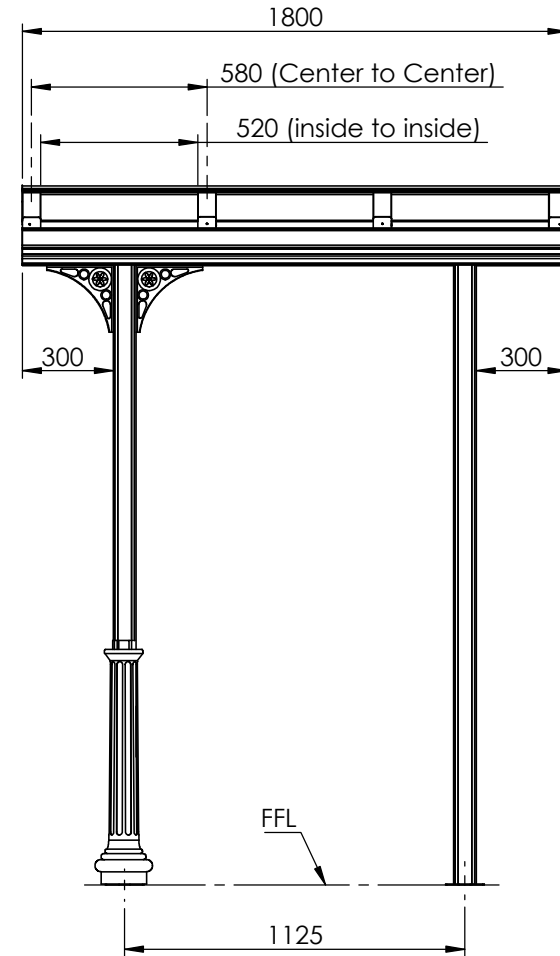
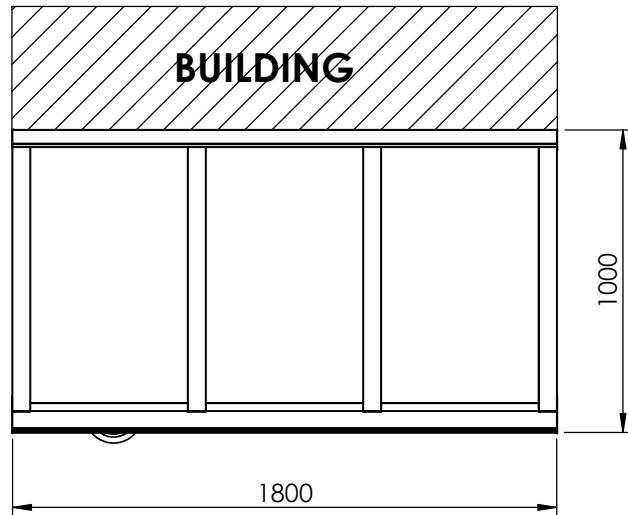
Total Unit Price Net of VAT:

Your order will now be processed in accordance with the Milwood Group Terms and Conditions of Purchase

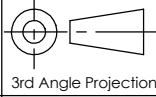
Please sign or type your name in the box:

Date:

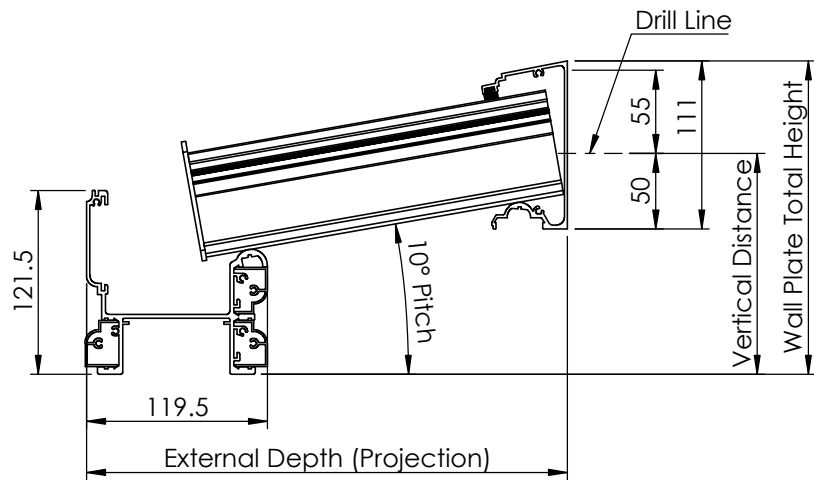
FRONT VIEW & ROOF TOP VIEW WITH BUILDING



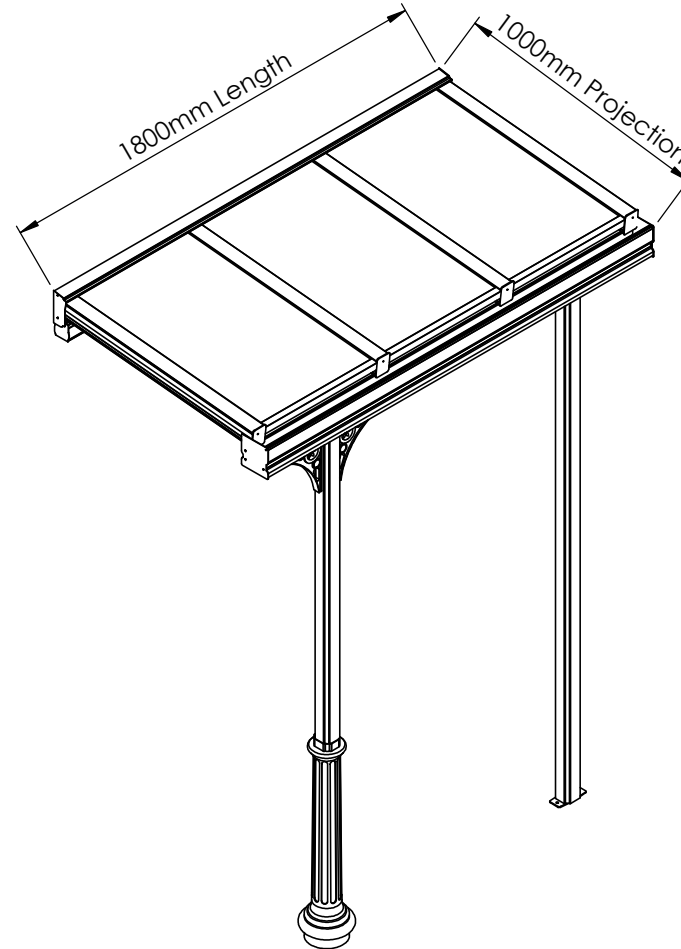
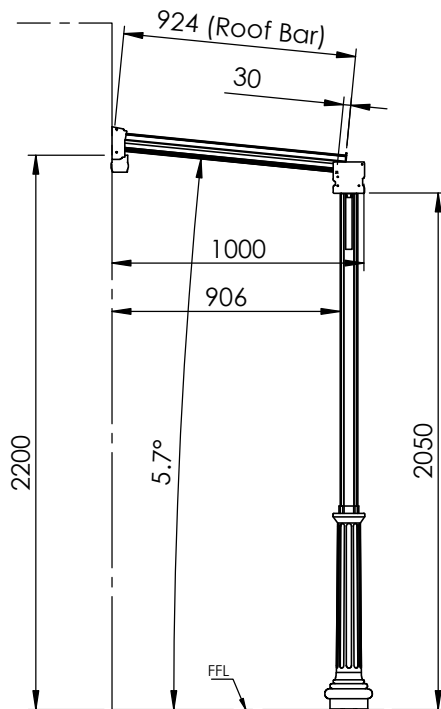
Finish : Powder coated to White Semi-Gloss.
Glass : 6mm Clear Glass Roof Panels.

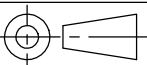
Customer Reference :	Drawing Title : Sim 6 Showroom					
	Product Name : Simplicity 6				Delivery Date :	
Customer Sign :	 3rd Angle Projection	Page	Date	Page Size	Scale	Drawn
		1 OF 6	16/11/17	A4 (L)	NTS	CG
Order No. :	Finish	Issuer	(Tol) +/- 1 mm	Sequence	Revision	
	PPC	ACS		000001	v1.0	

CROSS SECTION VIEW & ISOMETRIC VIEW

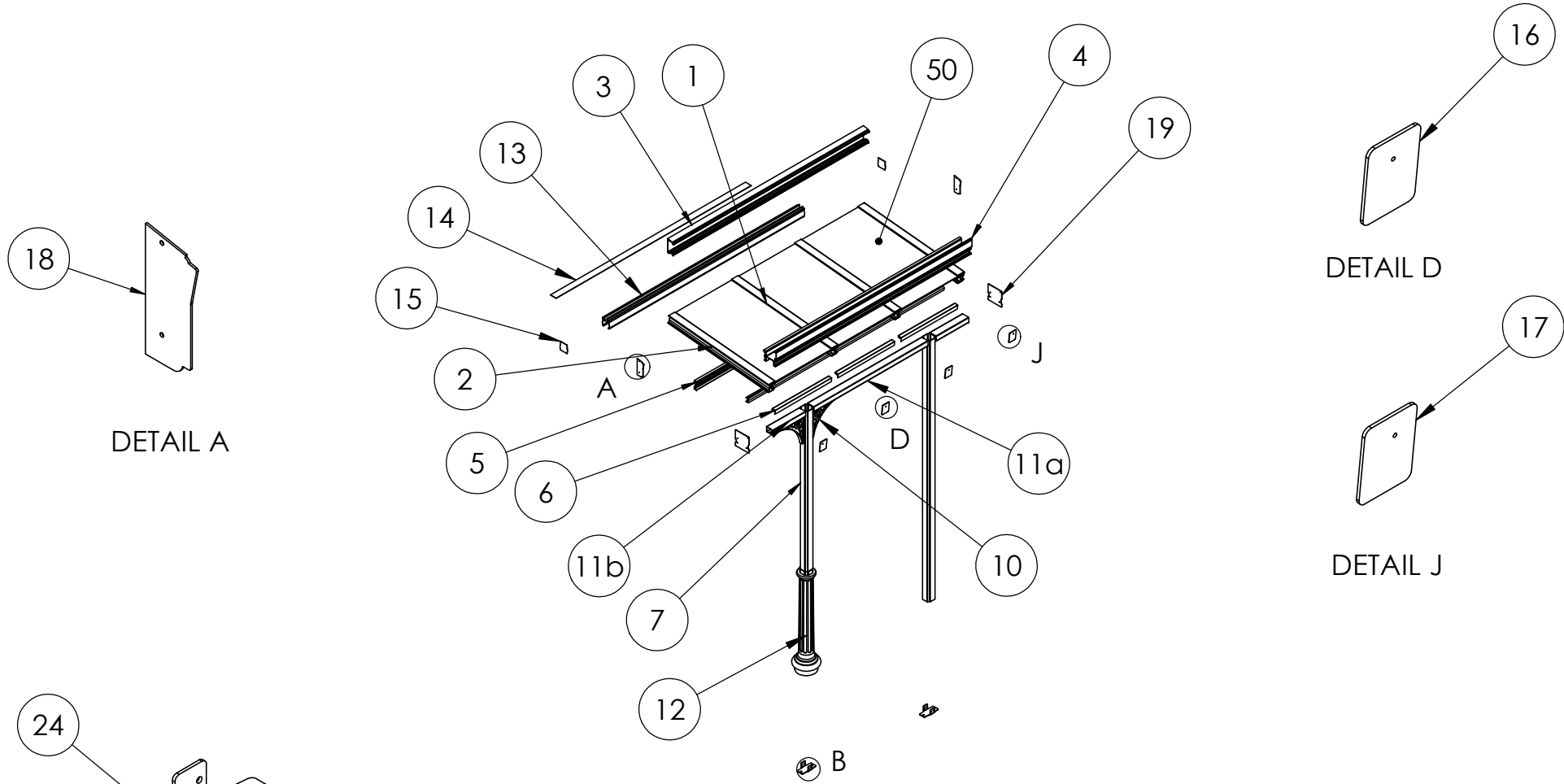


Example distance to appropriate drill hole on wall plate 10 degree roof pitch.



Customer Reference :	Drawing Title : Sim 6 Showroom					
	Product Name : Simplicity 6					
Customer Sign :	 3rd Angle Projection	Page	Date	Page Size	Scale	Drawn
		2 OF 6	16/11/17	A4 (L)	NTS	CG
Order No. :	Finish	Issuer	(Tol) +/- 1 mm	Sequence	Revision	
	PPC	ACS		000001	v1.0	

EXPLODED VIEW OF CANOPY SHOWING PARTS REQUIRED

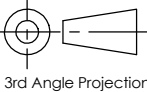


DETAIL A

DETAIL B

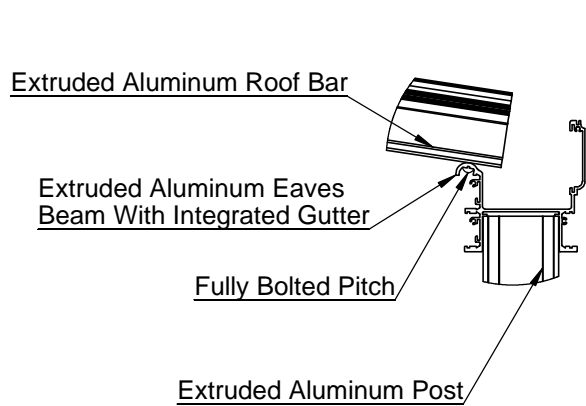
DETAIL D

DETAIL J

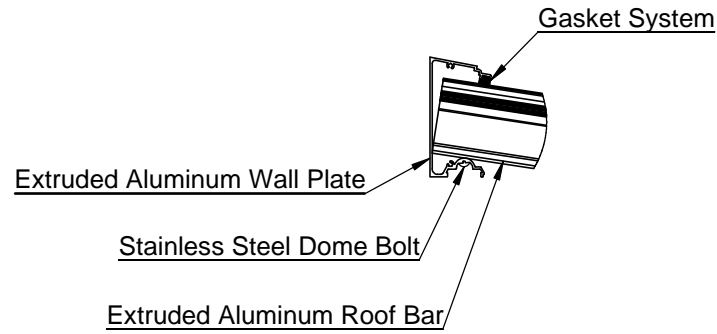
Customer Reference :	Drawing Title : Sim 6 Showroom					
	Product Name : Simplicity 6					
Customer Sign :	 3rd Angle Projection	Page	Date	Page Size	Scale	Drawn
		3 OF 6	16/11/17	A4 (L)	NTS	CG
Order No. :	Finish	Issuer	(Tol) +/- 1 mm	Sequence	Revision	
	PPC	ACS		000001	v1.0	

PRODUCT DETAIL

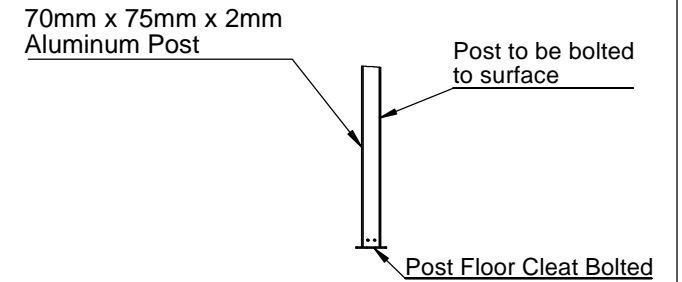
Eaves Beam Roof Bar & Post Section



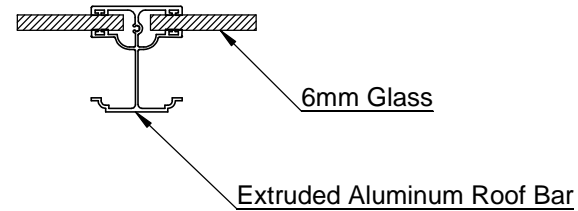
Wall Plate & Roof Bar Section

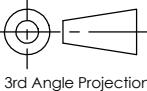


Base & Post Connection Information



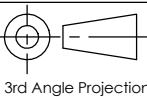
Roof Bar & Sheet Section



Customer Reference :	Drawing Title : Sim 6 Showroom					
	Product Name : Simplicity 6					
Customer Sign :	 3rd Angle Projection	Page	Date	Page Size	Scale	Drawn
		4 OF 6	16/11/17	A4 (L)	NTS	CG
Order No. :	Finish	Issuer	(Tol) +/- 1 mm	Sequence	Revision	
	PPC	ACS		000001	v1.0	

CUTTING & PICKING LIST OF COMPONENTS REQUIRED

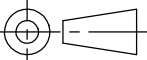
ITEM NO.	CUTTING LIST				Cut	Checked	Delivered
	PRODUCT CODE	DESCRIPTION	QTY.	LENGTH			
1	MW/GLGB/001	Glazing Bar	2	924mm			
2	MW/GLEB	End Glazing Bar 6m	2	924mm			
3	MW/WPVERA/001	Wall Plate Veranda	1	1800mm			
4	MW/GUTT/VERANDA	Gutter For Veranda	1	1800mm			
5	MW/GUTT/TRIM	Gutter Trim	3	1800mm			
6	MW/FSEC/GLASS	F Section 6mm	3	520mm			
7	MW/POST/002/6M	Post 6m	2	3000mm			
8	MW/DNPI/001	Downpipe Square White	0				
9	MW/BLACK DOWNPIPE	Downpipe Square BLACK	0				
10	MW/CAST/001	Gallows Brackets	2	220mm			
11a	MW/GUIF/001	Gutter Infill Channel	1	1045mm			
11b	MW/GUIF/001	Gutter Infill Channel	2	295mm			
12	MW/VIC/CAST	Victorian Upgrade Base Castings	1				
13	MW/AFLC/001	Light Channel	1	1795mm			
14	MW/AFL/001	Lens For Light Channel	1	1795mm			
PICKING LIST					Packed	Checked	Delivered
15	MW/AFEC/001	Light Channel End Plate	2				
16	MW/BEPL/001	Bar End Plates	2				
17	MW/BEPL/002	Bar End Plates (Offset Hole)	2				
18	MW/WPEP/VERA	Wall Plate End Plate Veranda	2				
19	MW/GEPL/002	Gutter End plate 6	2				
20	MW/EAJA/010	18mm x 300mm Joiner	0				
21	MW/EAJA/008	70 x 300 Eaves Joiner 3	0				
22	MW/EAJA/011	61.5mm x 300mm Joiner	0				
23	MW/PSFT/002	Post floor cleat (IN GROUND)	0				
24	MW/PSFT/001	Post Floor Cleat bolted to the ground	2				
25	MW/DNPC/001	Down Pipe Shoes White	0				
26	MW/DNAS/001	Down Pipe bends White	0				

Delivery Date :	Warehouse	Customer Reference :	Drawing Title : Sim 6 Showroom					
			Product Name : Simplicity 6					
Colour & Finish of Canopy : Gloss Matt Semi-Gloss	Checked By :	Customer Sign :	 3rd Angle Projection	Page 5 OF 6	Date 16/11/17	Page Size A4 (L)	Scale NTS	Drawn CG
RAL Code :		Order No. :	Finish PPC	Issuer ACS	(Tol) +/- 1 mm	Sequence 000001	Revision v1.0	

CUTTING & PICKING LIST OF COMPONENTS REQUIRED

27	MW/SFPC/WHITE	Single Fix Plastic Down Pipe Clip White	0			
28	MW/DPShoeBK	Downpipe Shoes Black	0			
29	MW/DPBEND	Down Pipe bends BLACK	0			
30	MW/SFPC/BLACK	Single Fix Plastic Down Pipe Clip Black	0			
31	MW/Spigot	Down Pipe Spigot	1			
32	MW/SFLX/001	Sikaflex	1			
33	MW/SILC/001	Soudal Clear Silicon	1			
34	MW/FASTENER06	M6 x 16 Pan Pozi Bolt	20			
35	MW/FASTENER03	No8 x 5/8 Pan Pozi Self Tapping Screw	24			
36	MW/FASTENER04	No12 x 1"1/4 Hexagon Self Drill Screw	41			
37	MW/FASTENER13	No10 x 25mm Hex Head Screw	5			
38	MW/FASTENER05	M6 Nyloc Nut	20			
39	MW/ M5PLTCCAP	M5 Domed Nut Cover Caps WHITE	46			
40	MW/ M5PLTCPBK	M5 Domed Nut Cover Caps BLACK	0			
41	MW/SPRAYCAN	Aerosol Can	1			
42	MW/LEAD FLASHING	Lead Flashing	0			
43	MW/6" SLEEVE	Protective Sleeve	1	12000mm		
44	MW/10" SLEEVE	Protective Sleeve	1	4000mm		
45	MW/WPGS/GL	Wall Plate Gasket	1	1800mm		
46	MW/GBGK/003	Glass Bar Top Gasket	8	924mm		
47	MW/GLGK/002	Glass Bar Bottom Gasket	8	924mm		
48		Cutting List		2		
49		Simplicity 6 Installation Guide		1		
50	MW/GLASS/OPTIFLOAT	6mm Toughened Glass	3	Length924mm & Width-560mm		
Drivers/Receivers Signature				Date		

Please Note: you are signing to say that all goods have been received in good condition and the quantities on this cutting list are correct. Milwood will not accept any liability unless damaged or lost items are reported within 48 hours.

Warehouse	Customer Reference :	Drawing Title : Sim 6 Showroom					
		Product Name : Simplicity 6					
Checked By :	Customer Sign :	 <small>3rd Angle Projection</small>	Page	Date	Page Size	Scale	Drawn
				6 OF 6	16/11/17	A4 (L)	NTS
	Order No. :	Finish	Issuer	(Tol) +/- 1 mm	Sequence	Revision	
		PPC	ACS		000001	v1.0	