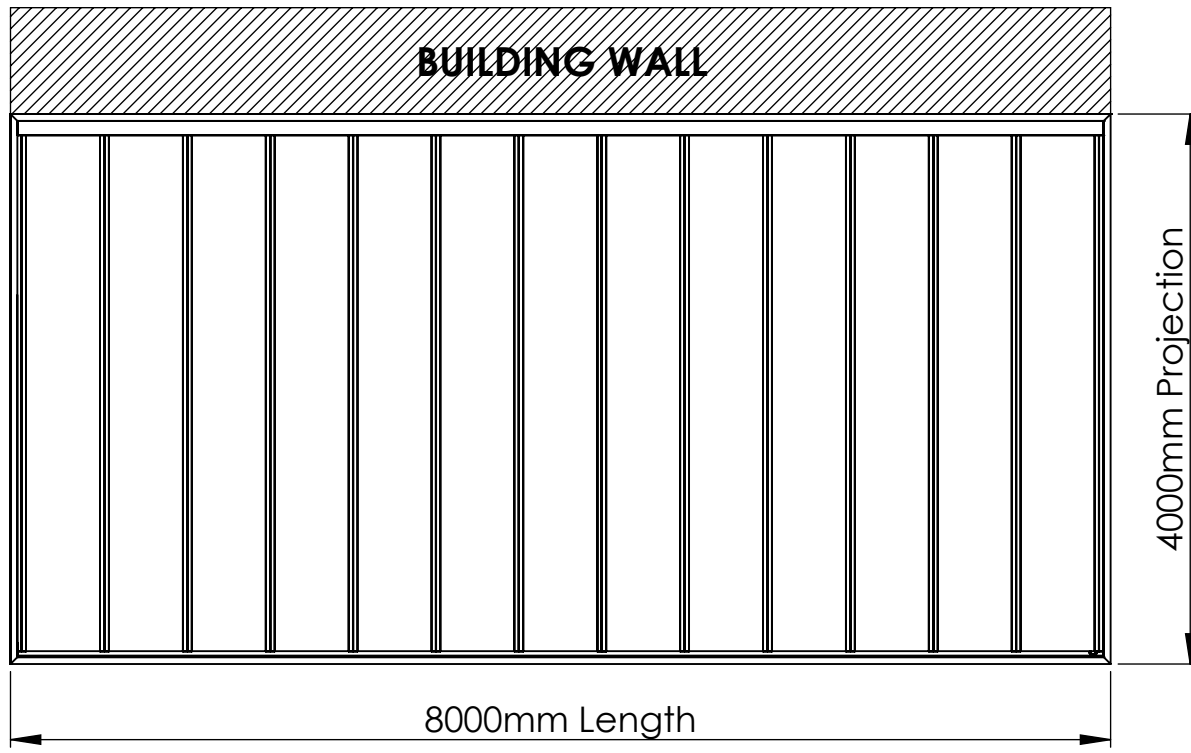
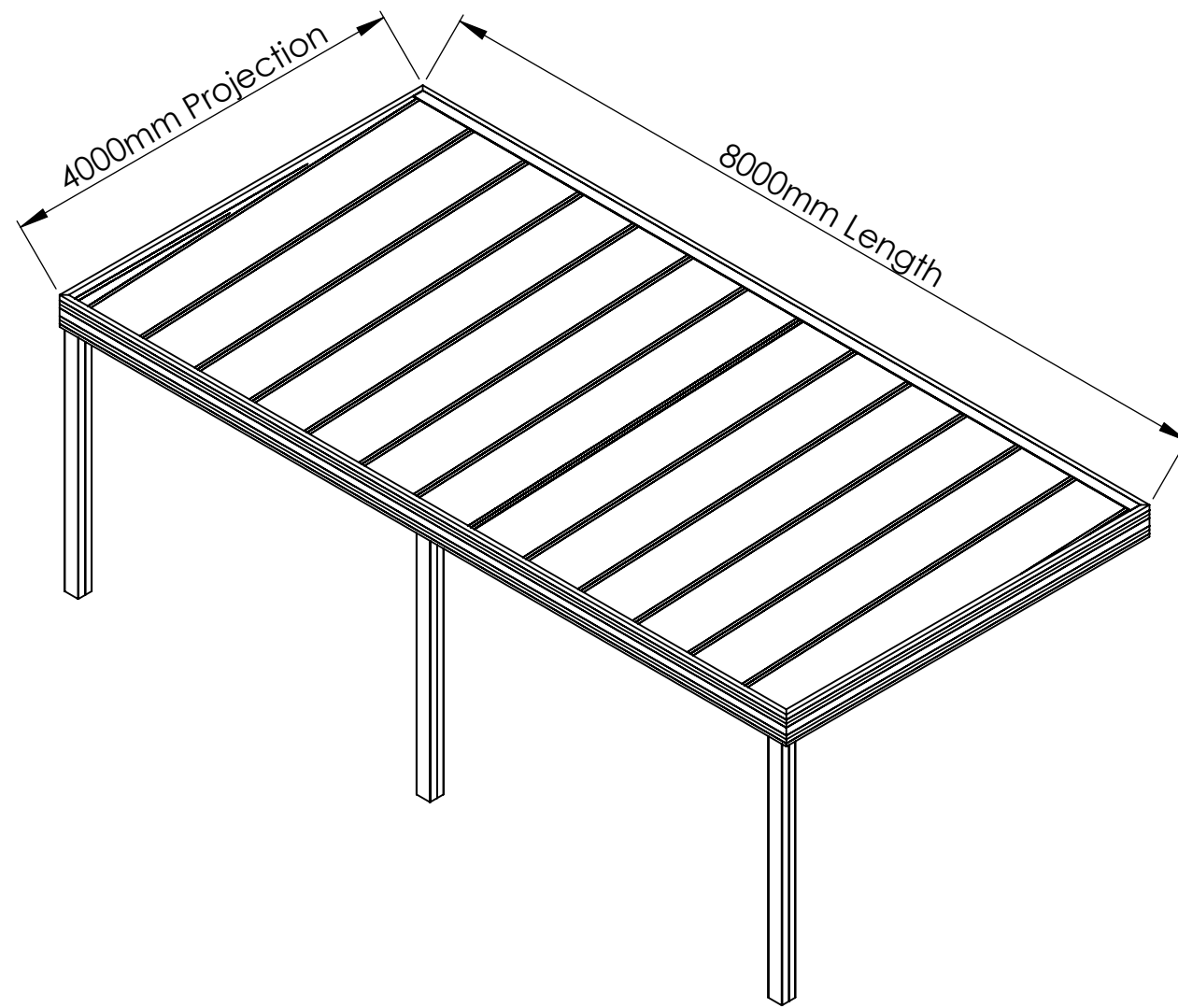


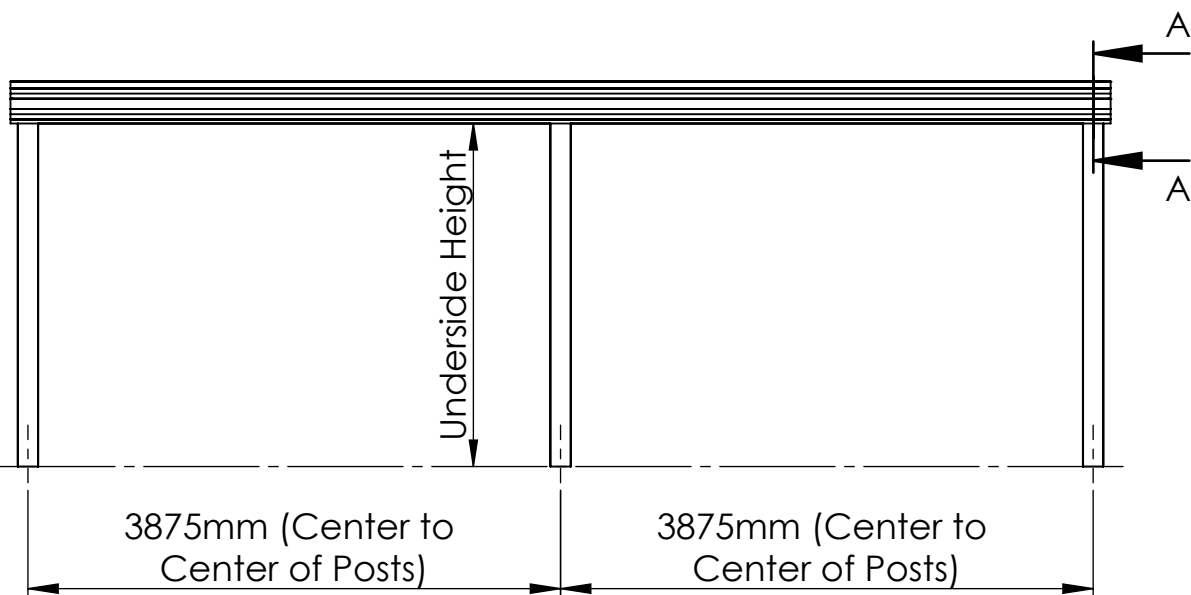
**TOP VIEW**



**ISOMETRIC VIEW**



**FRONT VIEW**



**Notes.**

Contractor to be responsible for checking this scheme against architects drawings/site requirements and to advise Milwood Group immediately of any discrepancies. Orders placed against Milwood Group drawing reference assume approval of this scheme. Any materials required over and above the quantities given, will be charged accordingly.

**Customer Sign Off.**

Sign \_\_\_\_\_

Date \_\_\_\_\_

**Record Of Revision Changes.**

- Creation of drawing (V1)

**Canopy Frame Colour**

Any Standard RAL Colour

**Delivery and Storage.**

When delivered check that all items are present. Check whether the items have suffered any visible damage in transit Damaged panels must be noted on the delivery document and replaced if necessary. The items are delivered on a pallet (protected) and should also be stored this way on site. Do not store items standing upright.

**Canopy Size.**

Standard Size - 8m x 4m

This drawing and the product it displays is the sole property of The Milwood Group any reproduction of this drawing or product without the written permission of The Milwood Group is prohibited.



**Drawing Title:**

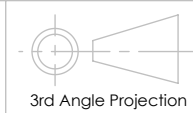
Milwood Box Roof Canopy - Wall Mounted - 8m x 4m - Standard Drawing

**Product:**

Box Roof Canopy - Wall Mounted

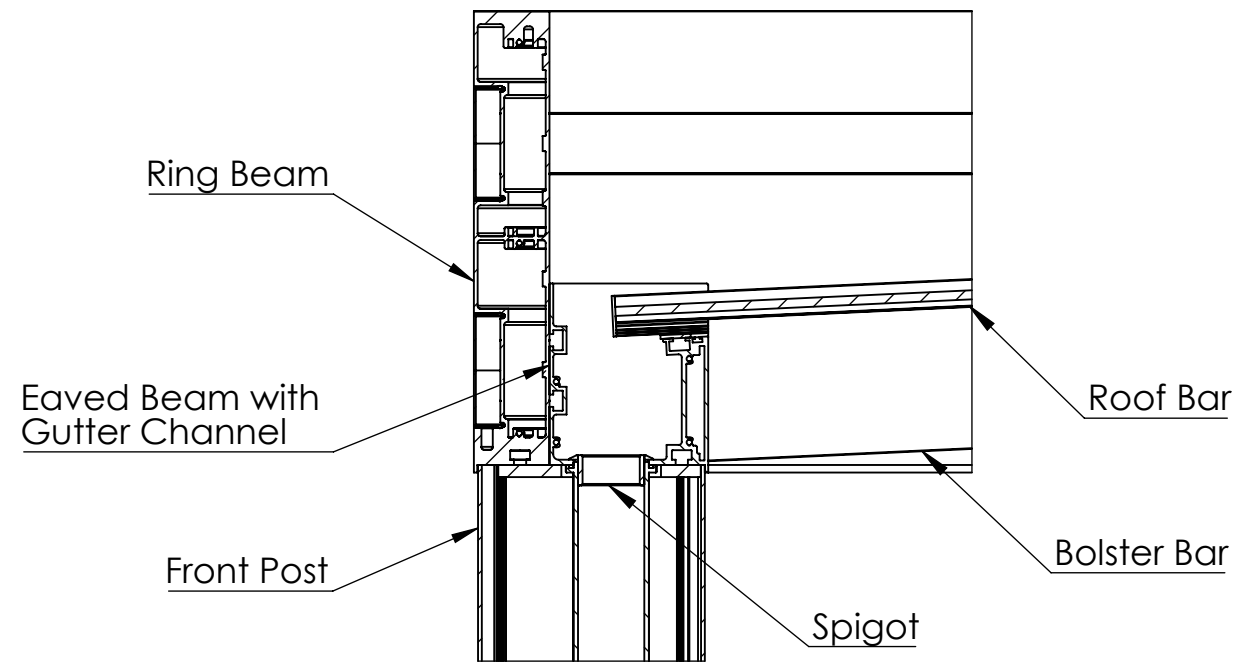
<b>Date</b> 12-07-21	<b>Page Size</b> A3 (L)	<b>Scale</b> DNS	<b>Drawn</b> Shyam
<b>Issuer</b> MIL	<b>Sequence</b> 000001	<b>(Tol)</b> +/- 1mm	<b>Rev</b> V1

If in any doubt about details on this drawing call us on 01622 235 672

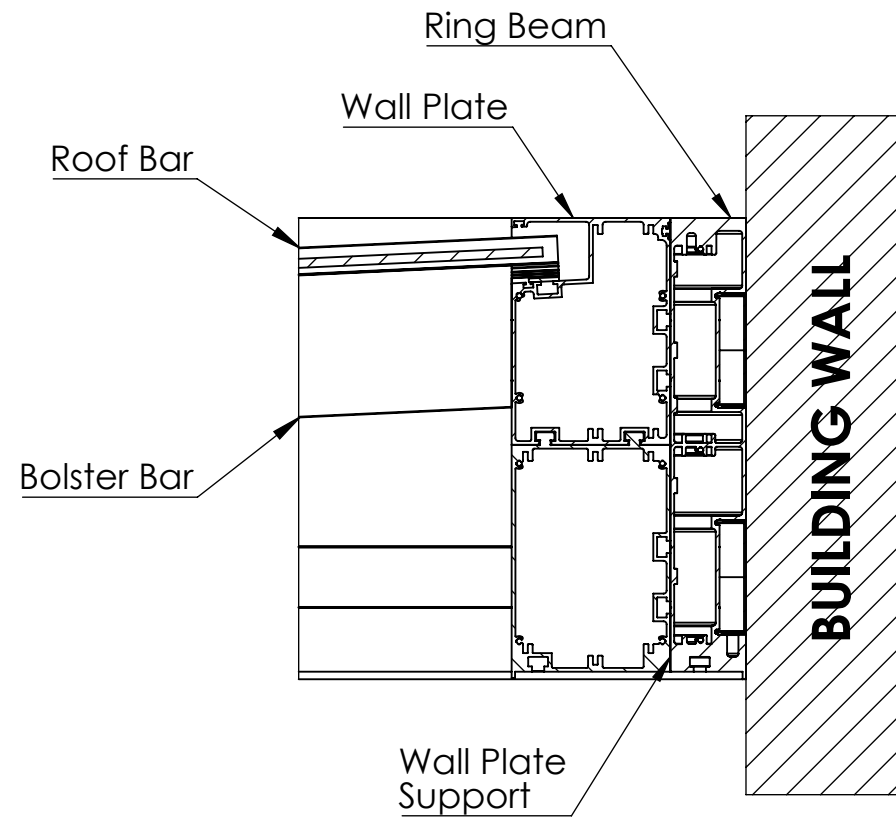


<b>Finish</b> PPC	<b>Page</b> 1 of 2
----------------------	-----------------------

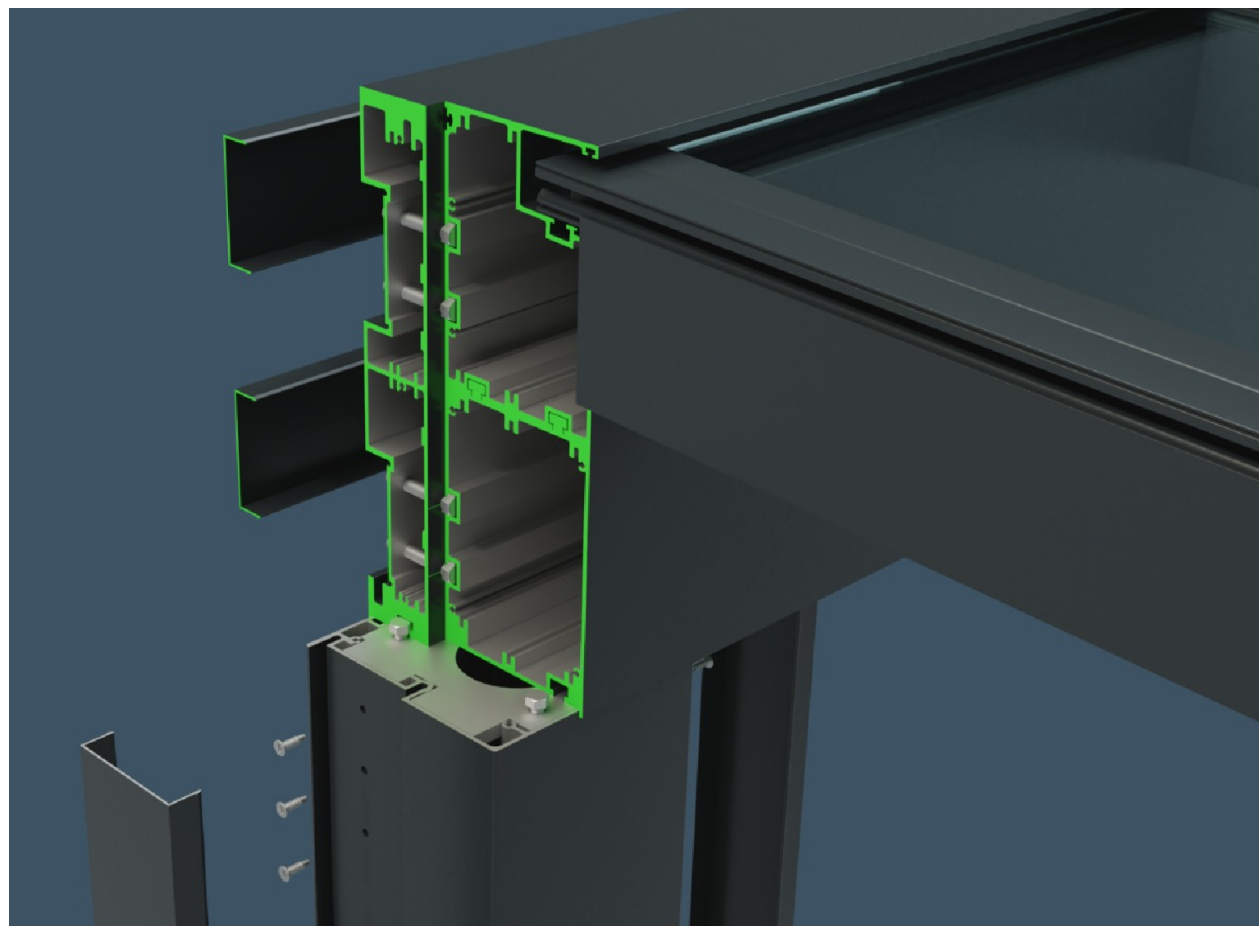
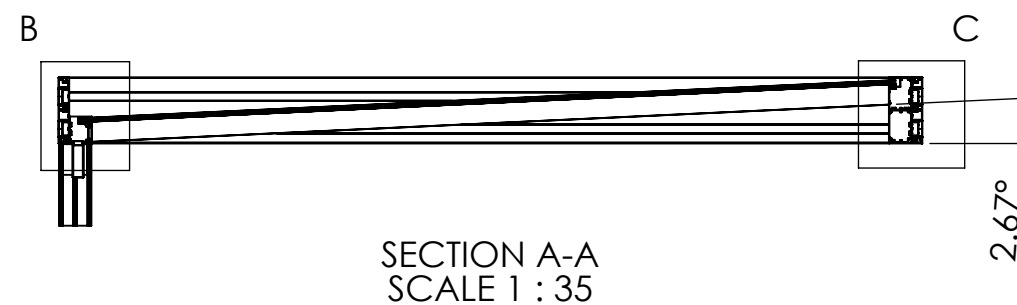
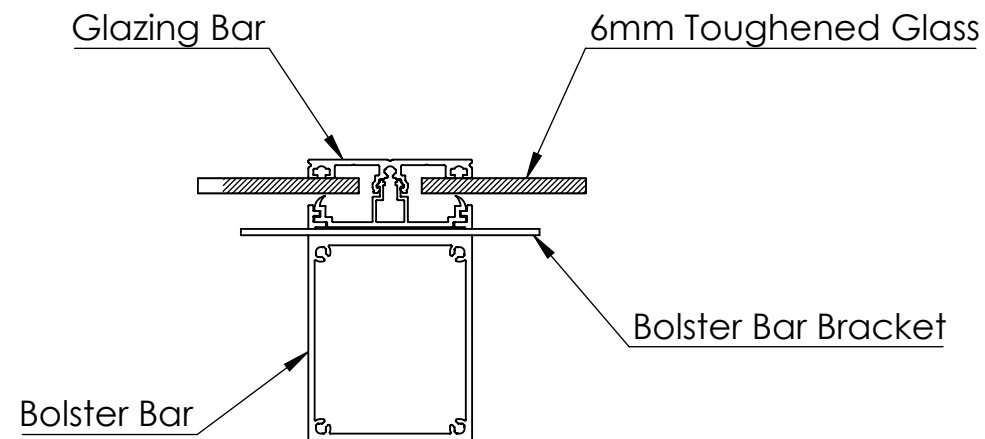
### Eaves Beam, Roof Bar & Post Connection



### Wall Plate, Roof Bar & Ring Beam Connection



### Bolster Bar, Glazing Bar & Glass Sheet Connection



**Notes.**

Contractor to be responsible for checking this scheme against architects drawings/site requirements and to advise Milwood Group immediately of any discrepancies. Orders placed against Milwood Group drawing reference assume approval of this scheme. Any materials required over and above the quantities given, will be charged accordingly.

**Customer Sign Off.**

Sign \_\_\_\_\_

Date \_\_\_\_\_

**Record Of Revision Changes.**

1. Creation of drawing (V1)

**Canopy Frame Colour**

Any Standard RAL Colour

**Delivery and Storage.**

When delivered check that all items are present. Check whether the items have suffered any visible damage in transit Damaged panels must be noted on the delivery document and replaced if necessary. The items are delivered on a pallet (protected) and should also be stored this way on site. Do not store items standing upright.

**Canopy Size.**

Standard Size - 8m x 4m

This drawing and the product it displays is the sole property of The Milwood Group any reproduction of this drawing or product without the written permission of The Milwood Group is prohibited.



**Drawing Title:**

Milwood Box Roof Canopy - Wall Mounted - 8m x 4m - Standard Drawing

**Product:**

Box Roof Canopy - Wall Mounted

Date	Page Size	Scale	Drawn
12-07-21	A3 (L)	DNS	Shyam
Issuer	Sequence	(Tol)	Rev
MIL	000001	+/- 1mm	V1
If in any doubt about details on this drawing call us on 01622 235 672		Finish	Page
	3rd Angle Projection	PPC	2 of 2