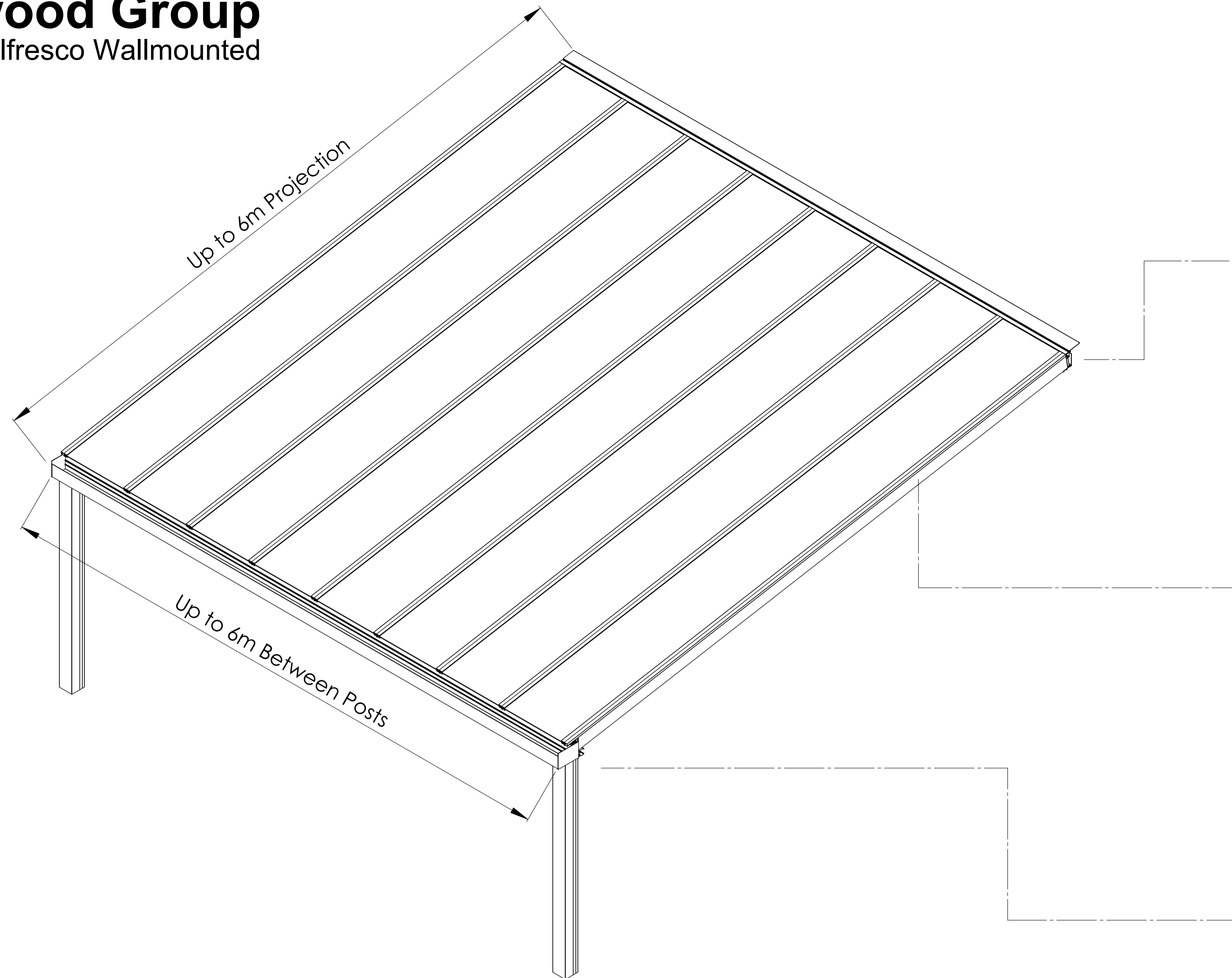
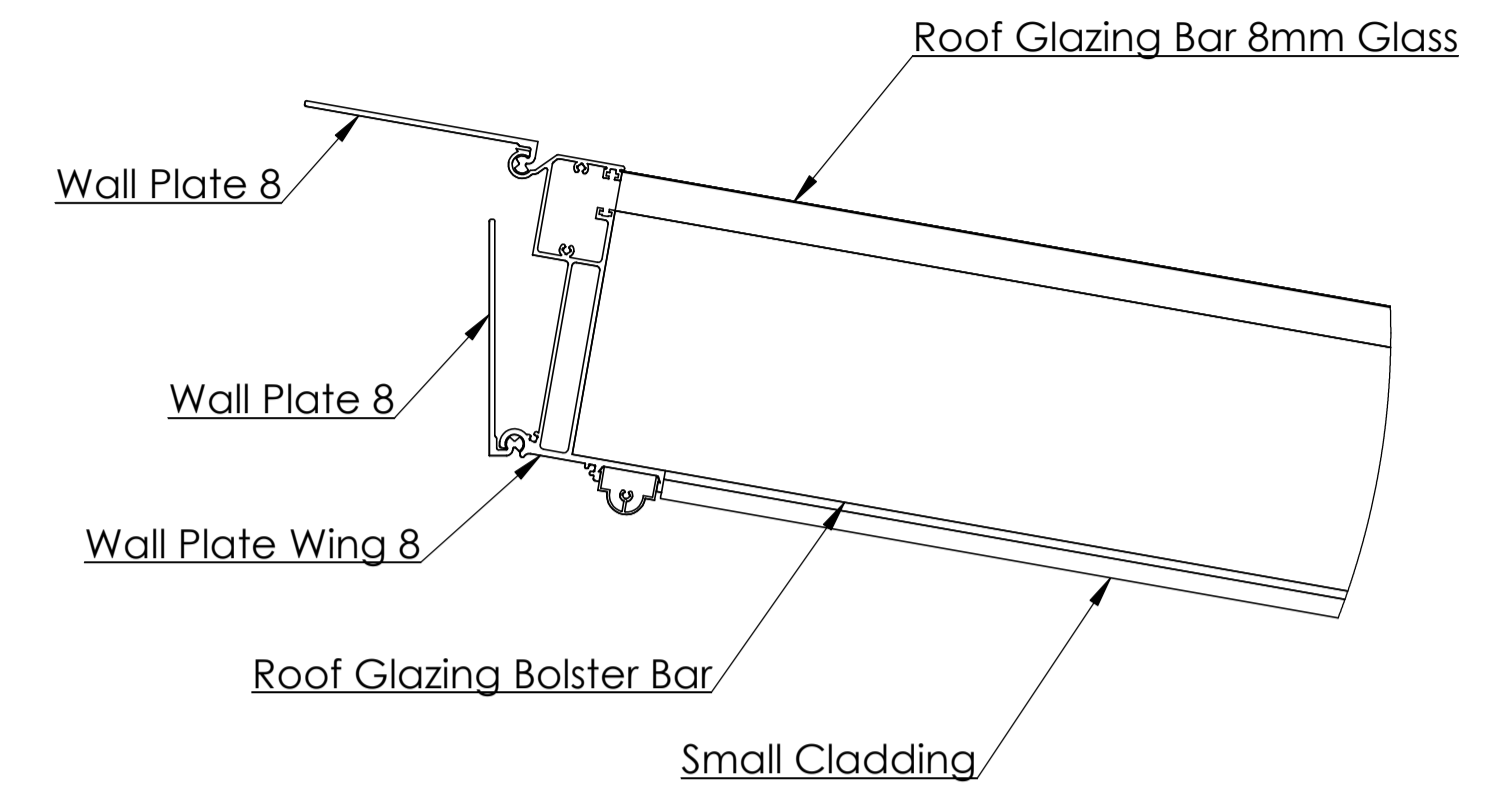


The Milwood Group

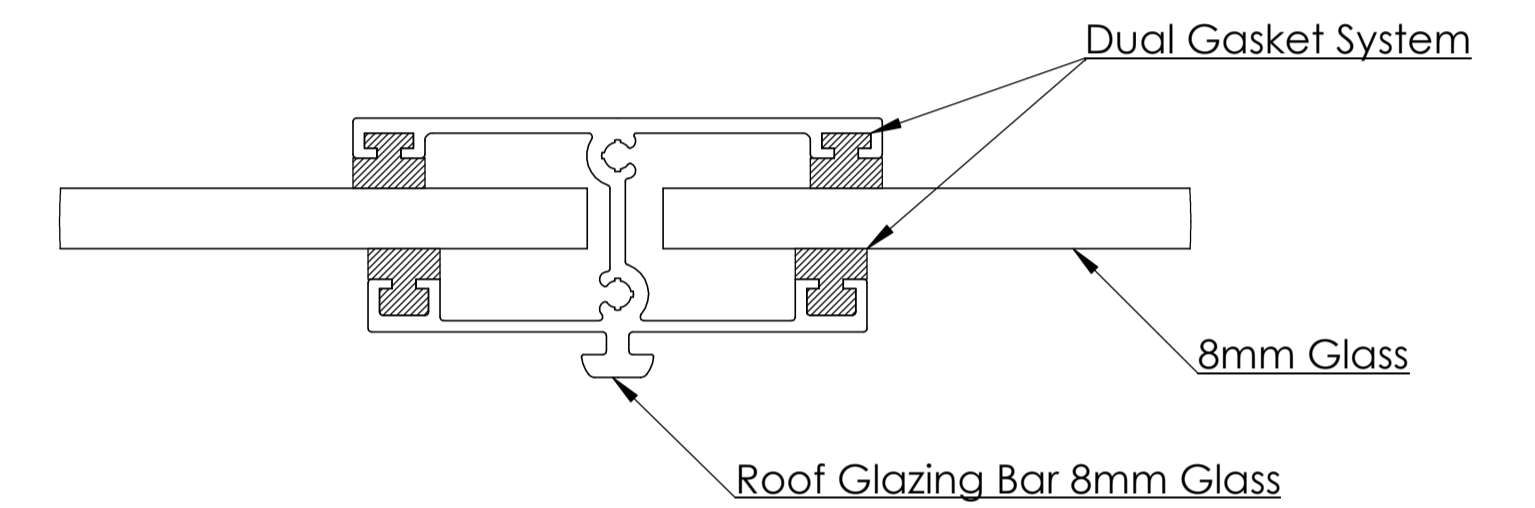
Contemporary Alfresco Wallmounted



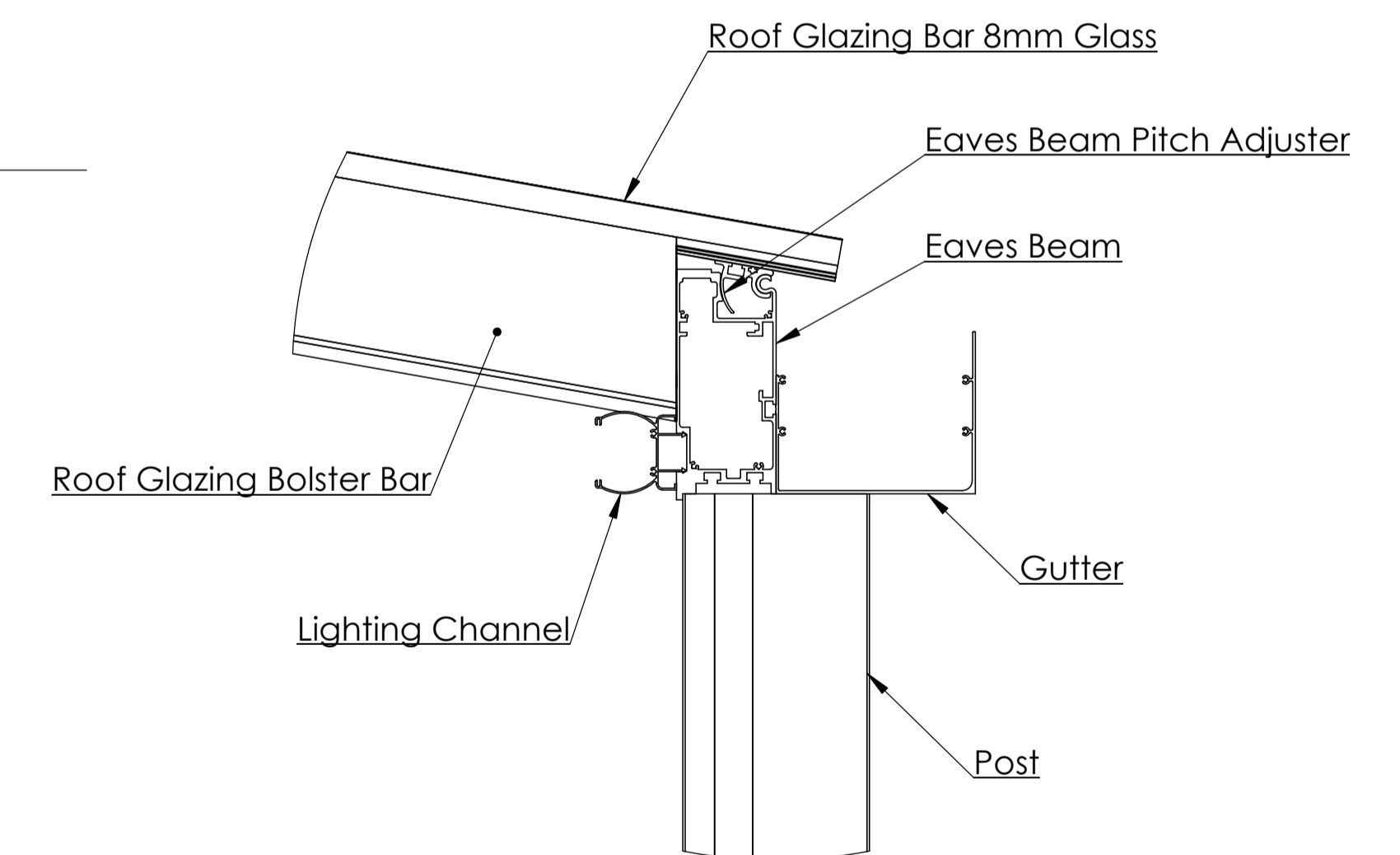
Wall Plate & Roof Glazing Bolster Bar Section



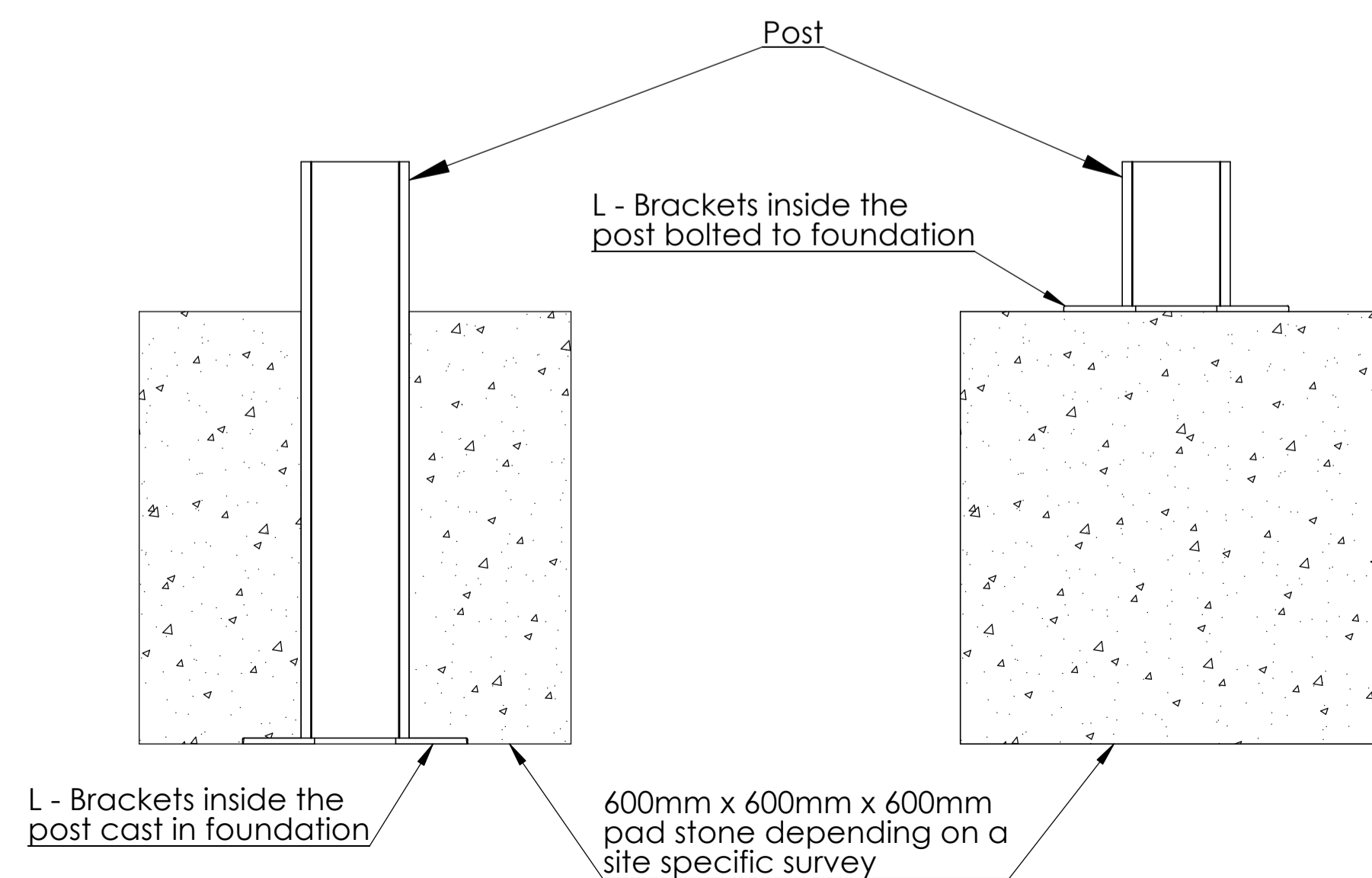
Roof Glazing Bar & Sheet Section



Eaves Beam, Roof Glazing Bolster Bar & Post Section



Base & Post Connection Information



Material List & Component Information :

1, The canopy wall plate is an extruded aluminium profile which fixes to the wall or steel bracket.


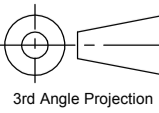
2, This canopy uses 8mm glass roof panels in clear.

3, This canopy uses our gasketed 8mm glass roof system, which is constructed from T6 grade structural aluminium frame.

4, The frame of the canopy is made from 150mm x 150mm x 2.5mm aluminium box section.

The frame is available, Powder coated.

Please note: This is a standardised product data sheet and is subject to change depending on individual cases, or site specific surveys. Specific drawings are available upon request or on receipt of an order.

Originator:					
Milwood Group					
Drawing Title: Milwood Group					
Product: Contemporary Alfresco Wallmounted					
	Page 1 of 1	Date 11-11-17	Page Size A1 (L)	Scale N/A	Drawn LS
Finish N/A		Issuer ACS	(Tol) +/- 1 mm	Sequence 000001	Revision v1.0