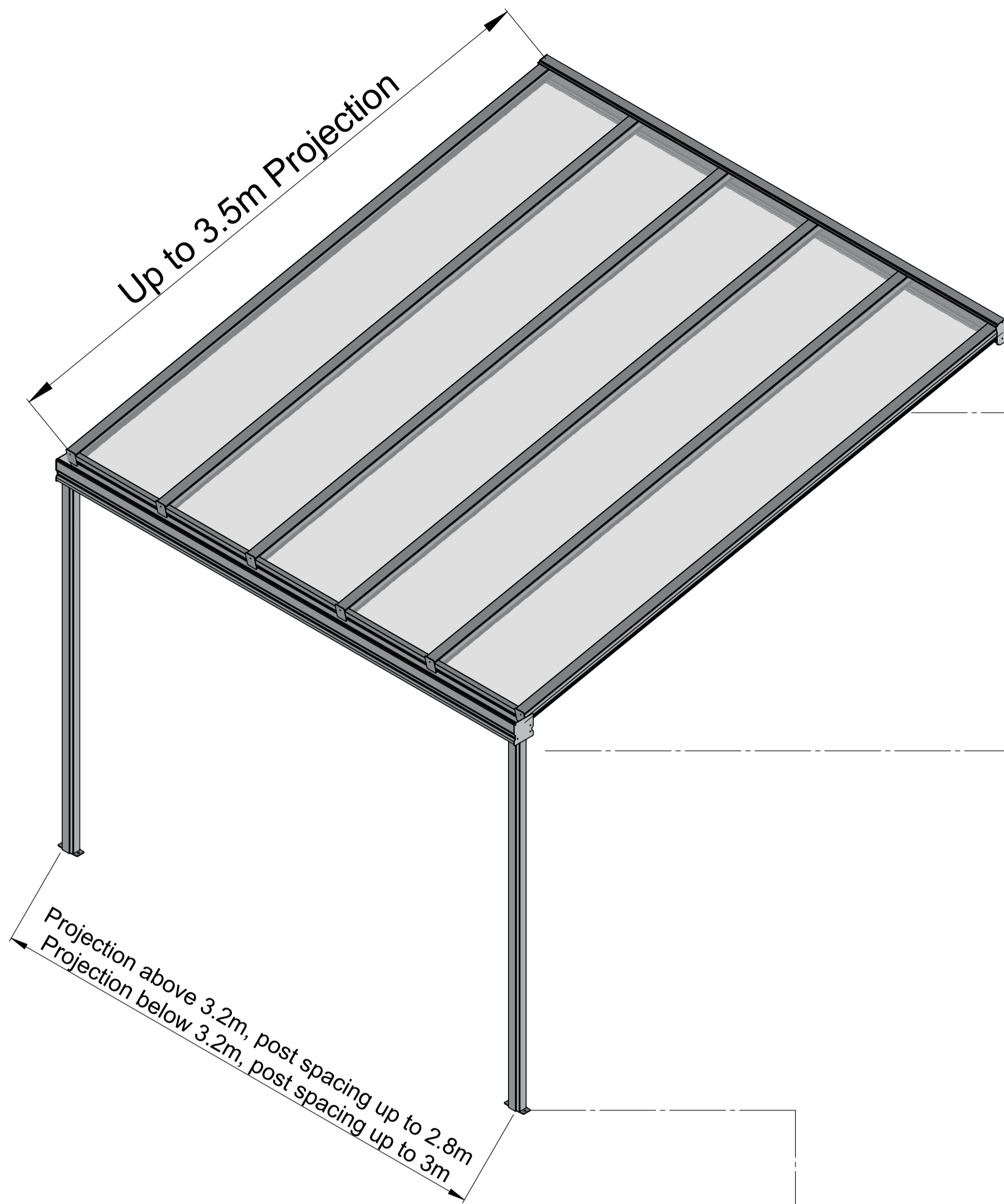
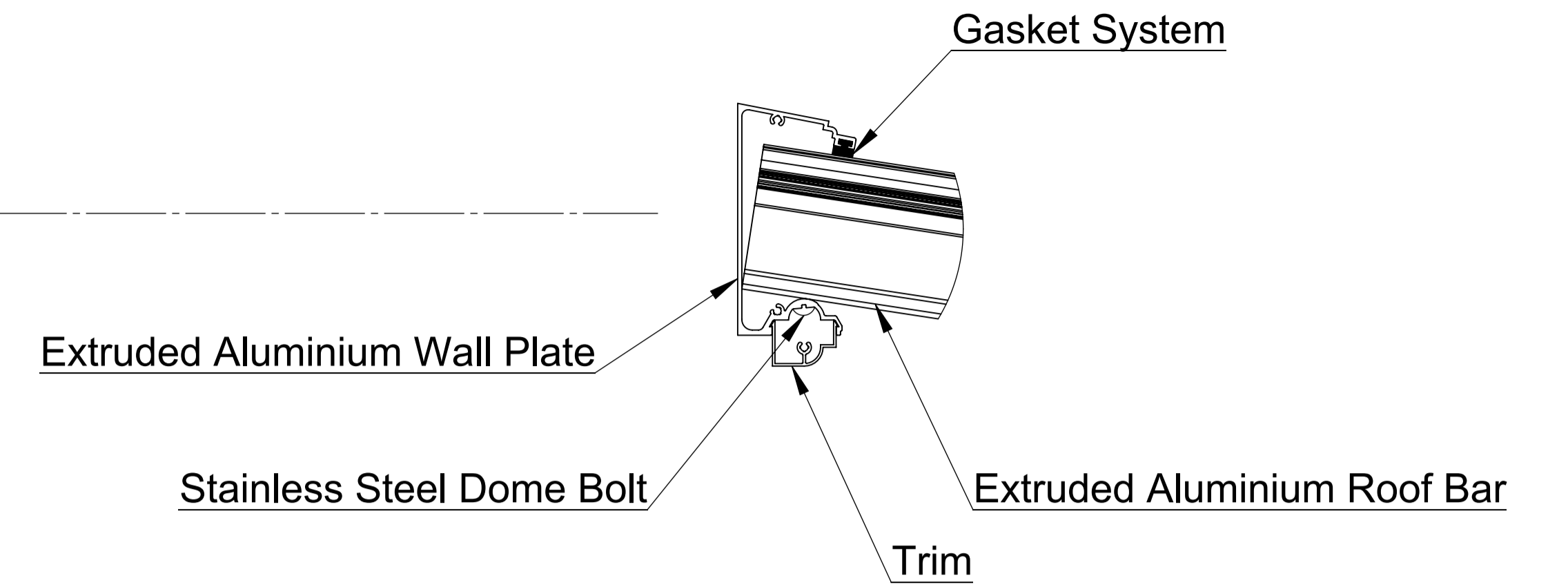


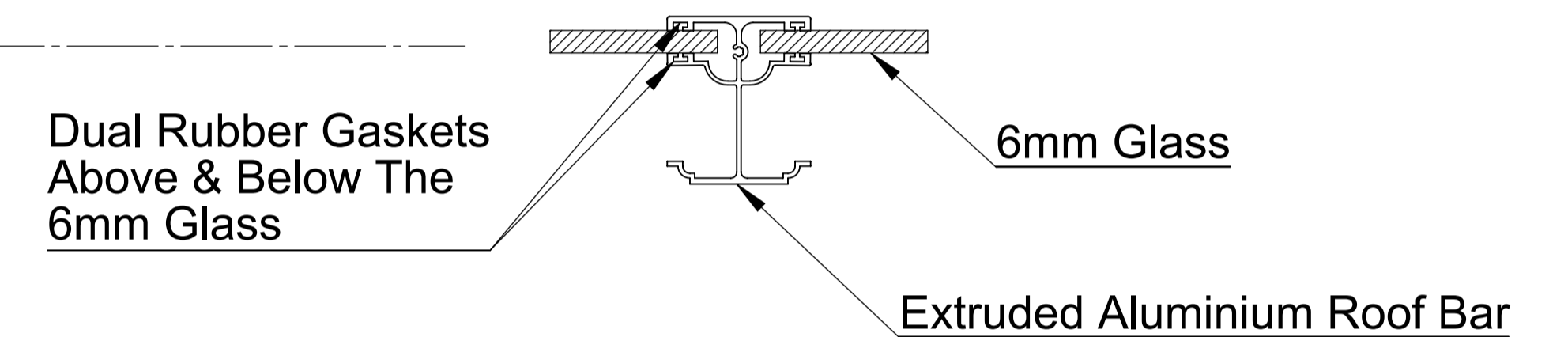
Milwood Group Simplicity 6



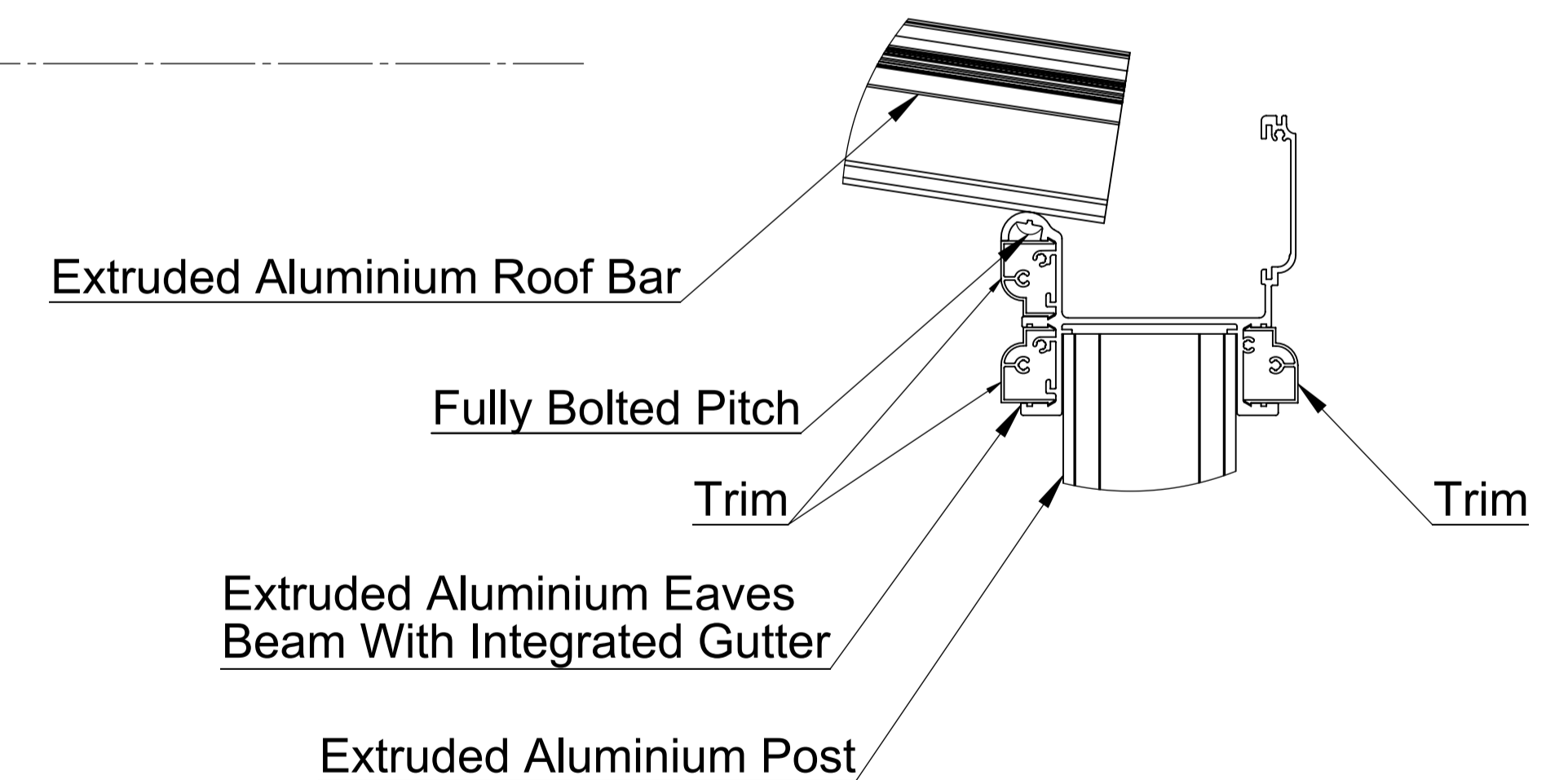
Wall Plate & Roof Bar Section



Roof Bar & Sheet Section



Eaves Beam Roof Bar & Post Section



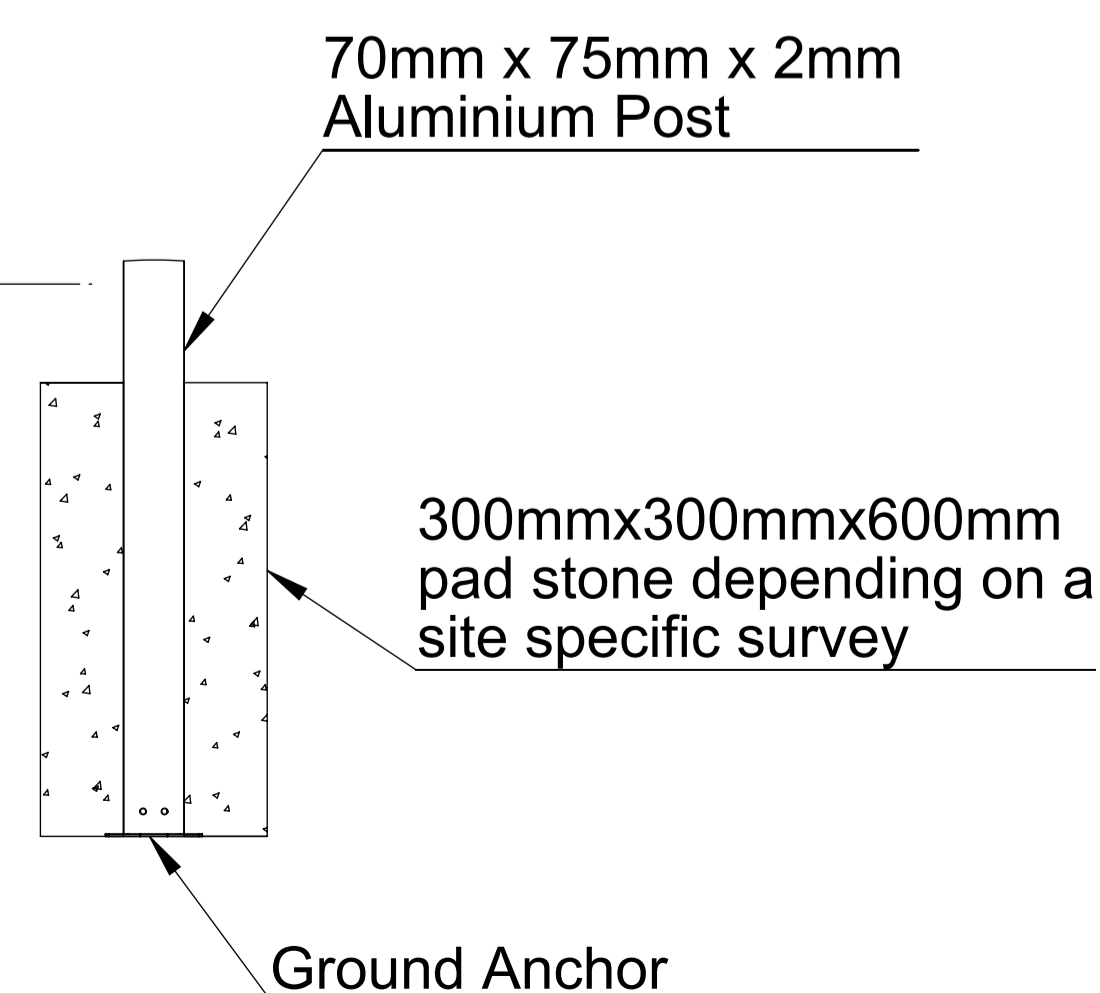
Material List & Component Information


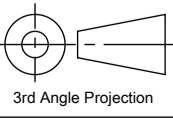
1. The canopy wall plate is an extruded aluminium profile which fixes to the wall or steel bracket.
2. This canopy uses 6mm glass roof panels in clear.
3. This canopy uses our gasketed 6mm glass roof system, which is constructed from T6 grade structural aluminium frame.
4. The frame of the canopy is made from 70mm x 75mm x 2mm aluminium box section.

The frame is available, Powder coated.

Please note: This is a standardised product data sheet and is subject to change depending on individual cases, or site specific surveys. Specific drawings are available upon request or on receipt of an order.

Base & Post Connection Information



Originator:						
Milwood Group						
Drawing Title: Milwood Group						
Product: Simplicity 6						
	Page 1 of 1	Date 03-04-19	Page Size A1 (L)	Scale N/A	Drawn LS	
<small>This drawing and the product it displays is the sole property of The Milwood Group Ltd any reproduction of this drawing or product without the written permission of The Milwood Group Ltd is prohibited.</small>						
Finish	Issuer	(Tol)	Sequence	Revision		
N/A	ACS	+/- 1 mm	000001	v1.8		