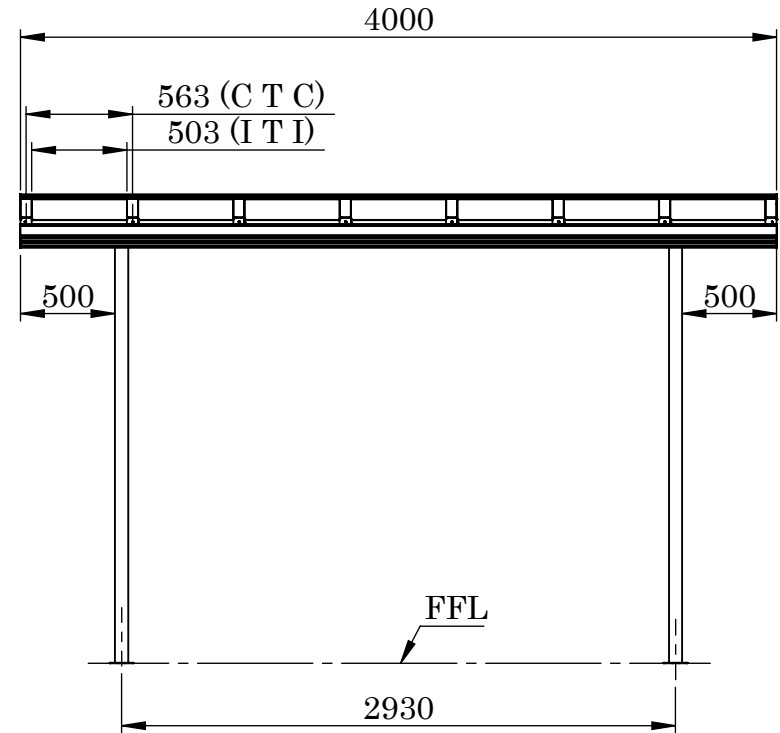
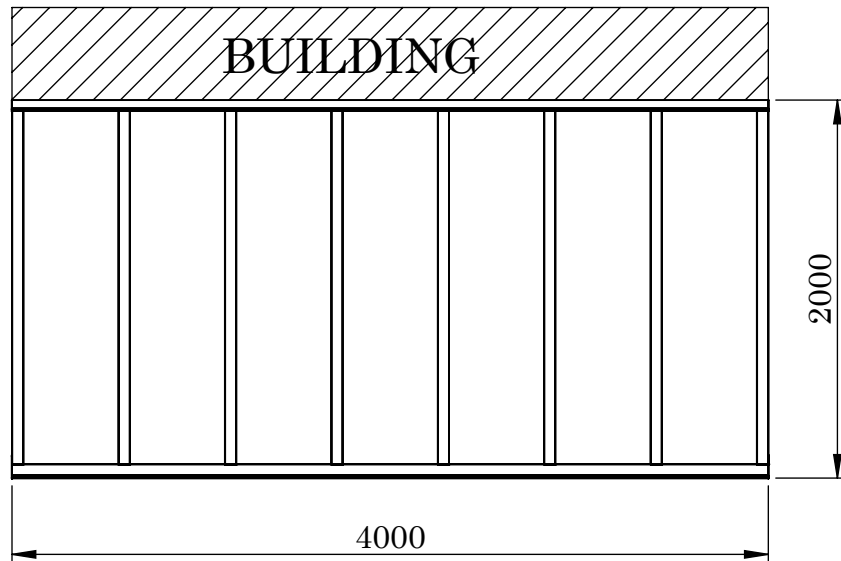
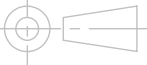


FRONT VIEW & ROOF TOP VIEW WITH BUILDING

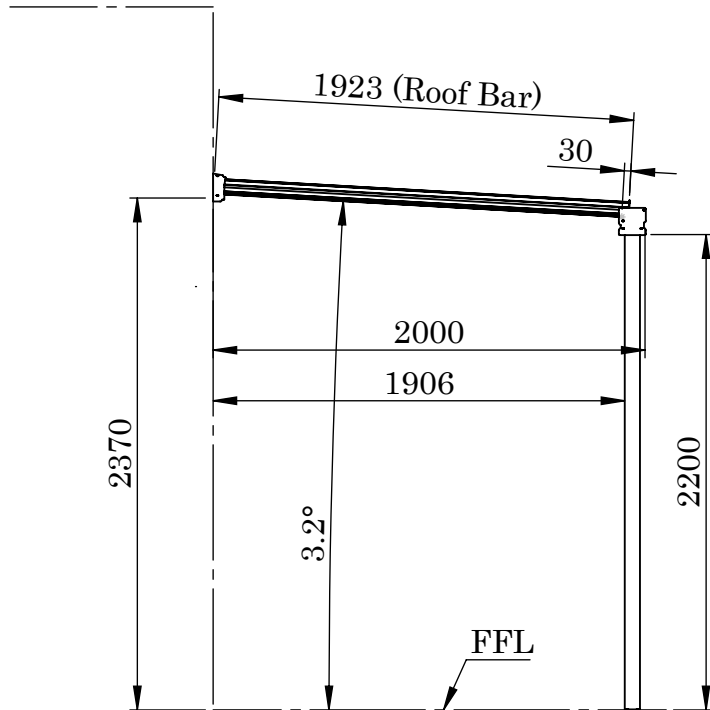
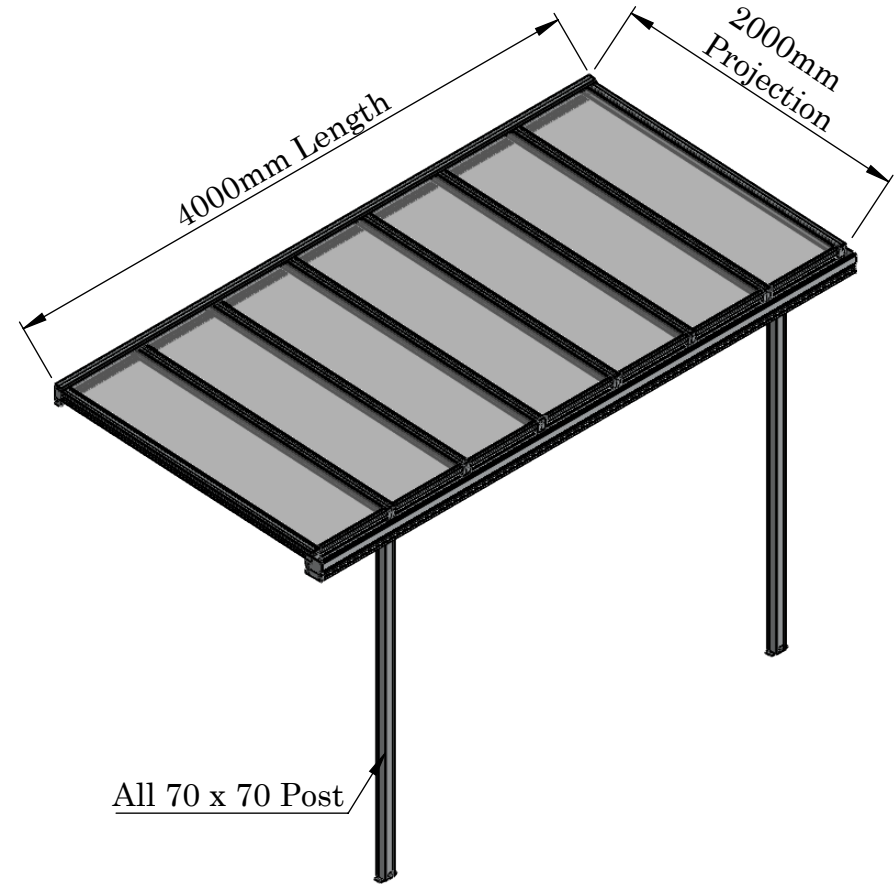
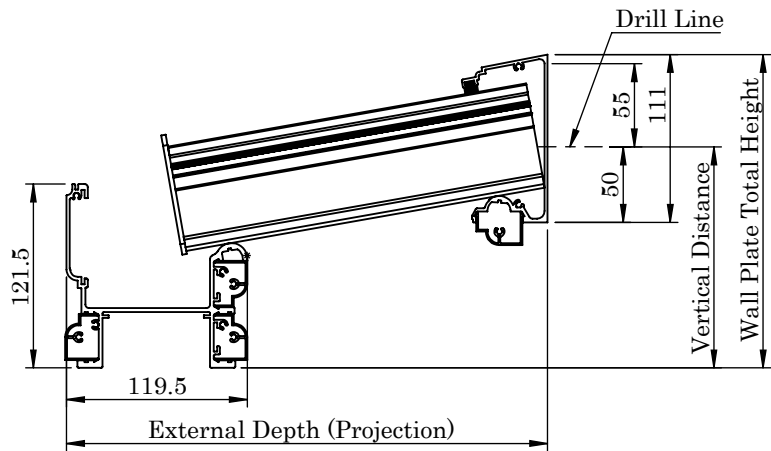



Attention: This is a CAD drawing for reference only.
For Installation instructions, please refer to the install guide.

Finish : Powder Coated To RAL 7016 Anthracite Grey Semi Glass.
Glass : 6mm Clear Glass Roof Panels.
Total Weight : 172.40 KG.
Glass Weight : 109.63 KG.
Aluminium Weight : 62.76 KG.

Customer Reference :	Drawing Title : Birchwood Trading					
	Product Name : Simplicity 6					
Customer Sign :		Page 1 OF 8	Date 20/01/22	Page Size A4 (L)	Scale NTS	Drawn MK
Order No. :	Finish PPC	Issuer ACS	(Tol) +/- 1 mm	Sequence 000001	Revision v1.0	

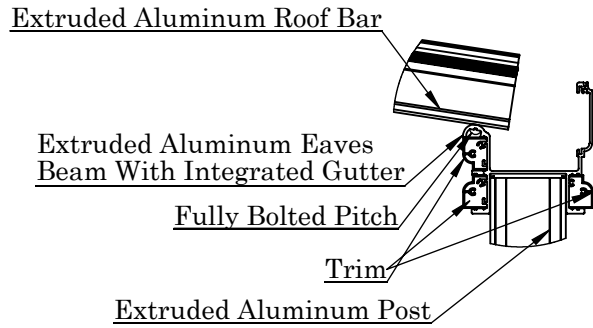
CROSS SECTION VIEW & ISOMETRIC VIEW



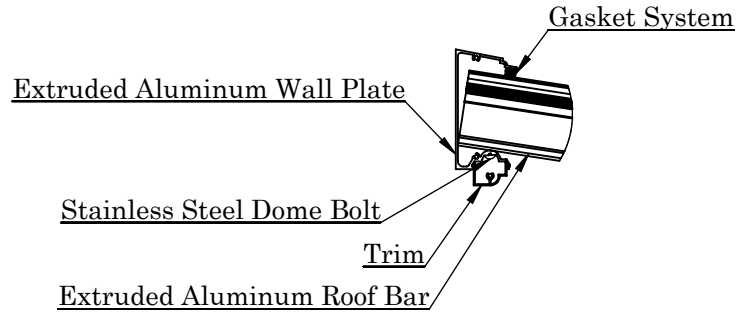
Customer Reference :	Drawing Title : Birchwood Trading					
	Product Name : Simplicity 6					
Customer Sign :		Page	Date	Page Size	Scale	Drawn
	3rd Angle Projection	2 OF 8	20/01/22	A4 (L)	NTS	MK
Order No. :	Finish	Issuer	(Tol) +/- 1 mm	Sequence	Revision	
	PPC	ACS		000001	v1.0	

PRODUCT DETAIL

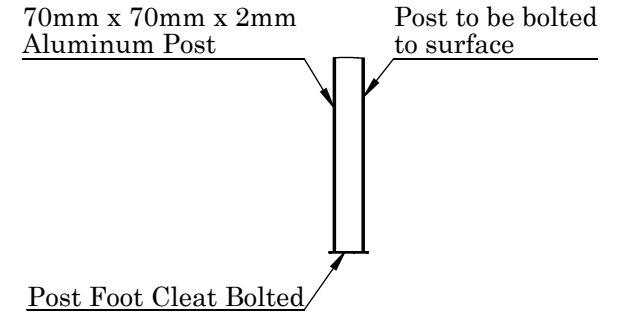
Eaves Beam Roof Bar & Post Section



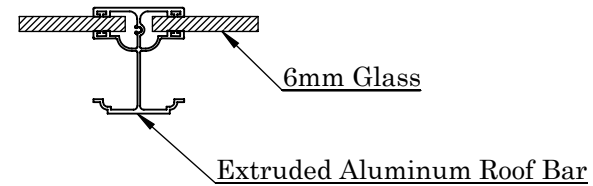
Wall Plate & Roof Bar Section

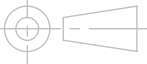


Base & Post Connection Information



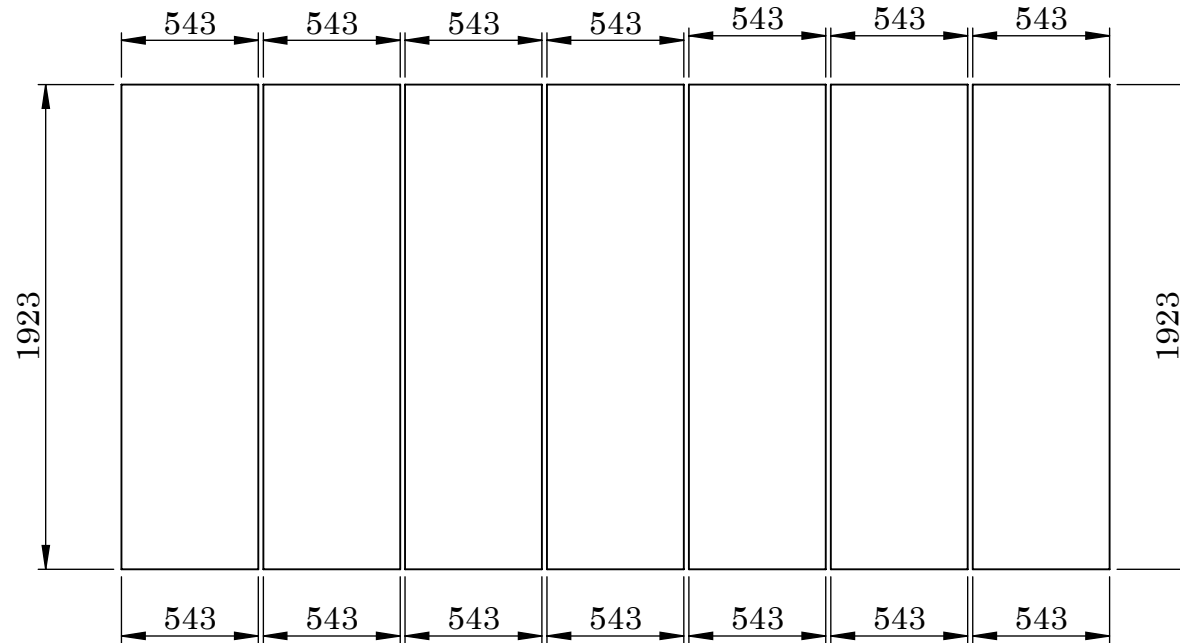
Roof Bar & Sheet Section



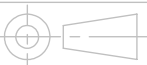
Customer Reference : 30199	Drawing Title : Birchwood Trading					
	Product Name : Simplicity 6					
Customer Sign :	 3rd Angle Projection	Page	Date	Page Size	Scale	Drawn
Order No. :		3 OF 8	20/01/22	A4 (L)	NTS	MK
	Finish	Issuer	(Tol) +/- 1 mm	Sequence	Revision	
	PPC	ACS		000001	v1.0	

Glass Detail

Glass Type	6mm Clear Glass
No Of Glass Panel	7
Glass m ²	7.30 m ²



Glass Size

Warehouse	Customer Reference :	Drawing Title : Birchwood Trading					
		Product Name : Simplicity 6					
Checked By :	Customer Sign :	 3rd Angle Projection	Page	Date	Page Size	Scale	Drawn
	Order No. :		Finish	Issuer	(Tol) +/- 1 mm	Sequence	Revision
			8 OF 8	20/01/22	A4 (L)	NTS	MK
			PPC	ACS	000001		v1.0