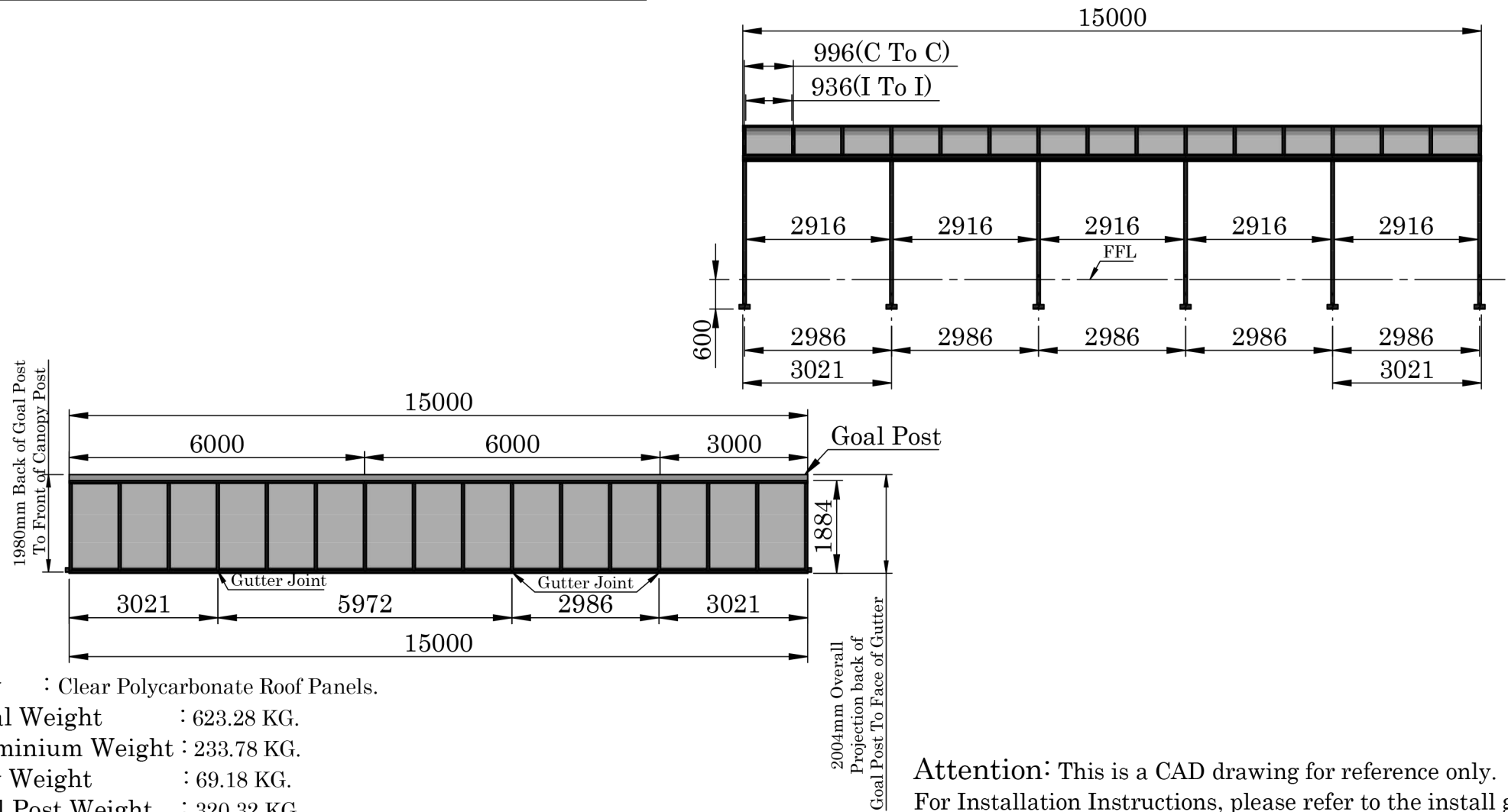


FRONT VIEW & ROOF TOP VIEW WITH BUILDING



Poly : Clear Polycarbonate Roof Panels.

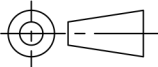
Total Weight : 623.28 KG.

Aluminium Weight : 233.78 KG.

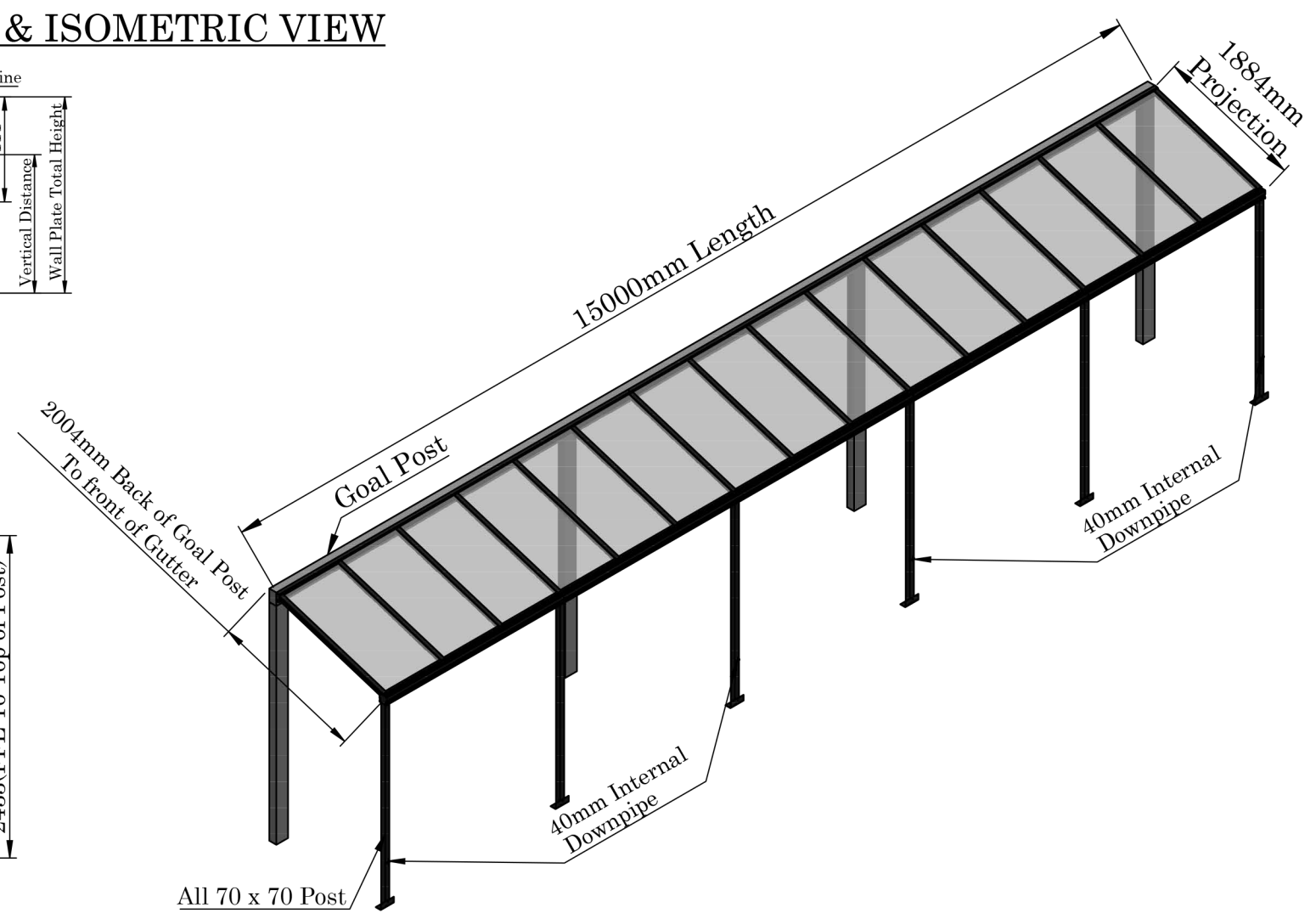
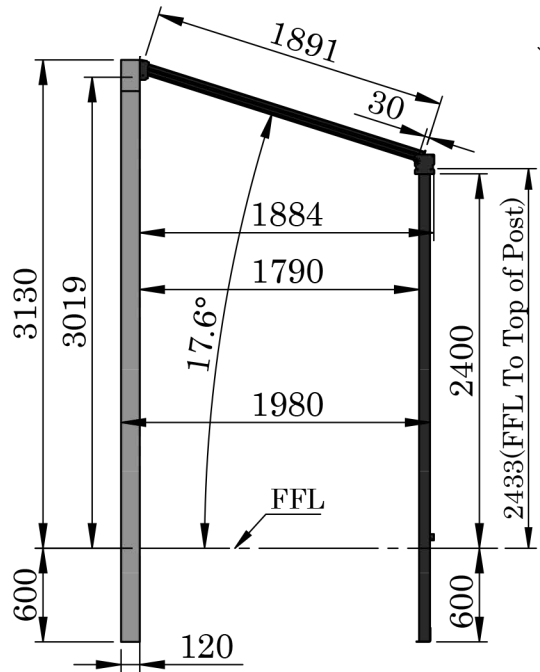
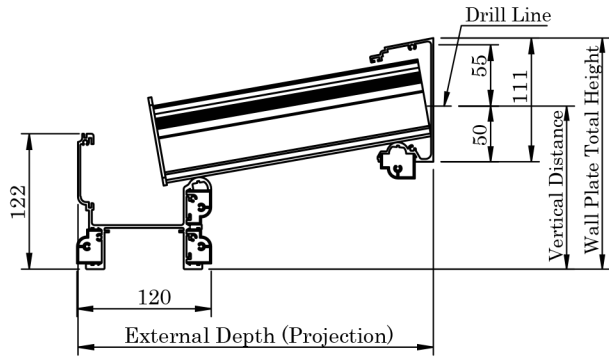
Poly Weight : 69.18 KG.

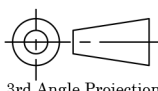
Goal Post Weight : 320.32 KG.

Attention: This is a CAD drawing for reference only.
For Installation Instructions, please refer to the install guide.

RAL Code	RAL 7016 Anthracite Grey (Textured)	Warehouse	Customer Reference :		Drawing Title : PMC SALES LTD TA ROOFIT				
Colour & Finish of Canopy			Customer Sign :		Product Name : Simplicity 16				
System Delivery Address		Checked By :	 3rd Angle Projection	Page	Date	Page Size	Scale	Drawn	
Post Code :				1 OF 9	04/09/23	A4 (L)	NTS	MK	
Post Code for installation :	Delivery Date :	Order No. :	Finish	Issuer	(To) +/-	Sequence	Revision		
			PPC	ACS	1 mm	000001	V1.1		

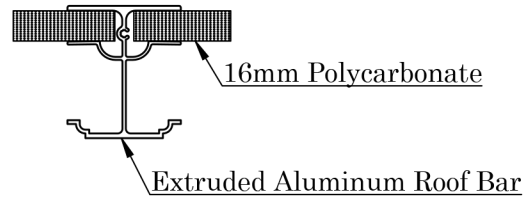
CROSS SECTION VIEW & ISOMETRIC VIEW



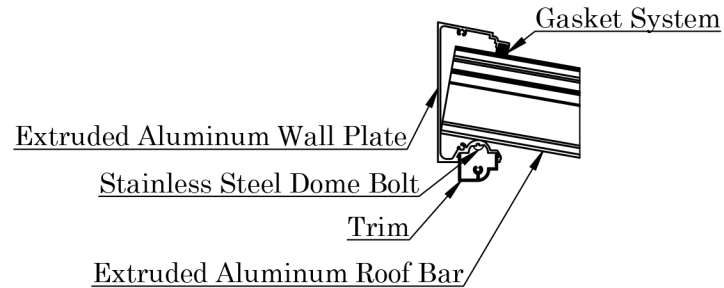
RAL Code	RAL 7016 Anthracite Grey (Textured)	Warehouse	Customer Reference :	Drawing Title : PMC SALES LTD TA ROOFIT					
Colour & Finish of Canopy			Customer Sign :	Product Name : Simplicity 16					
System Delivery Address		Checked By :	Order No. :	 3rd Angle Projection	Page	Date	Page Size	Scale	Drawn
Post Code :					2 OF 9	04/09/23	A4 (L)	NTS	MK
Post Code for installation :	Delivery Date :			Finish	Issuer	(Tol) +/-	Sequence	Revision	
				PPC	ACS	1 mm	000001	V1.1	

PRODUCT DETAIL

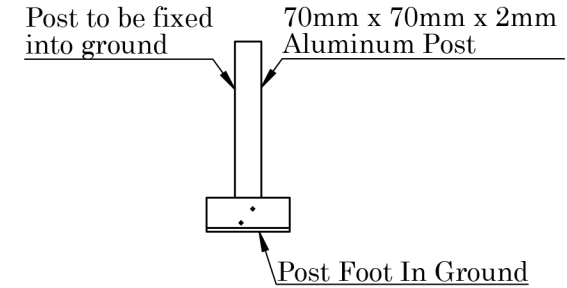
Roof Bar & Sheet Section



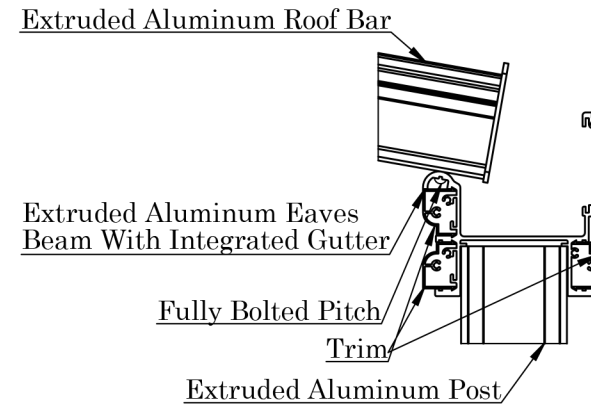
Wall Plate & Roof Bar Section

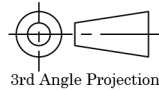


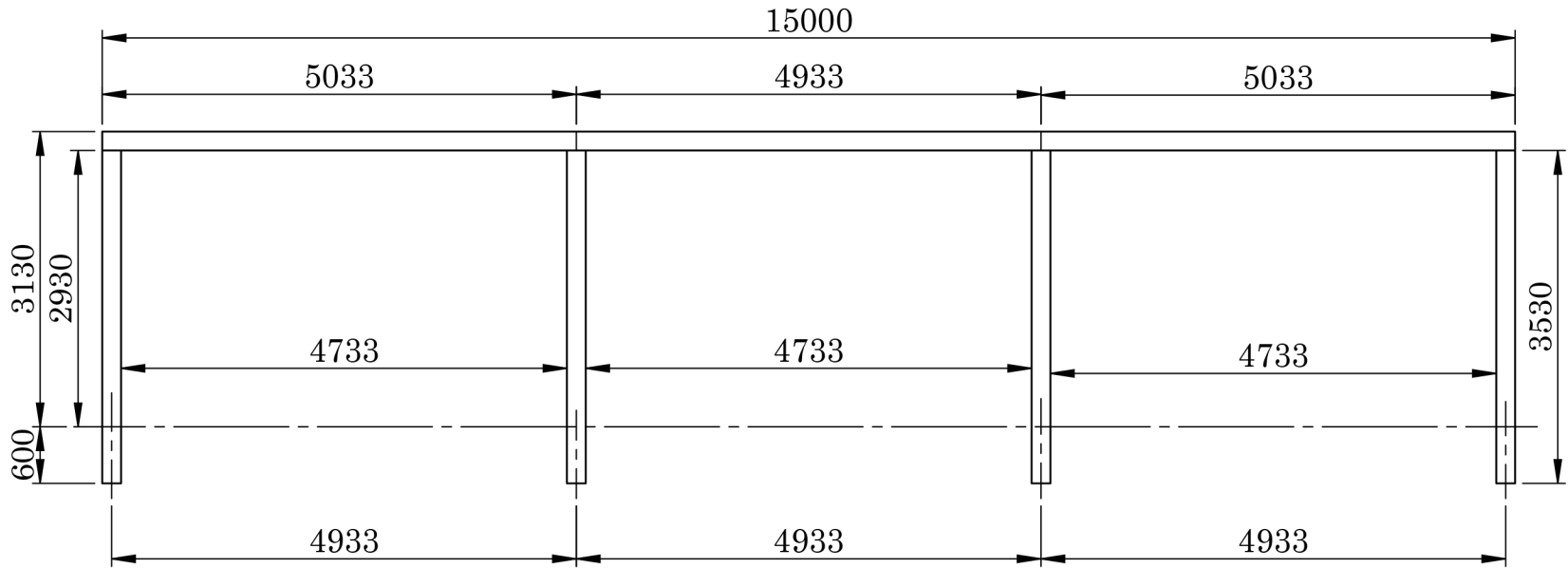
Base & Post Connection Information

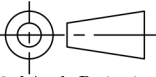


Eaves Beam Roof Bar & Post Section



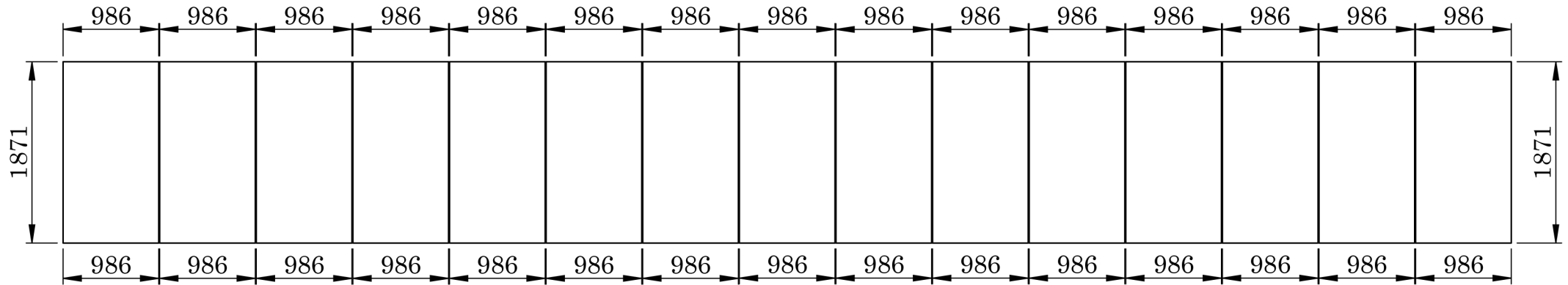
RAL Code	RAL 7016 Anthracite Grey (Textured)	Warehouse	Customer Reference :	Drawing Title : PMC SALES LTD TA ROOFIT					
Colour & Finish of Canopy			Customer Sign :	Product Name : Simplicity 16					
System Delivery Address		Checked By :	 3rd Angle Projection	Page	Date	Page Size	Scale	Drawn	
Post Code :				3 OF 9	04/09/23	A4 (L)	NTS	MK	
Post Code for installation :	Delivery Date :		Order No. :	Finish	Issuer	(Tol) +/-	Sequence	Revision	
			PPC	ACS	1 mm	000001	V1.1		



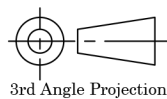
RAL Code	RAL 7016 Anthracite Grey (Textured)	Warehouse	Customer Reference :	Drawing Title : PMC SALES LTD TA ROOFIT					
Colour & Finish of Canopy			Customer Sign :	Product Name : Simplicity 16					
System Delivery Address		Checked By :	 3rd Angle Projection	Page	Date	Page Size	Scale	Drawn	
Post Code :				8 OF 9	04/09/23	A4 (L)	NTS	MK	
Post Code for installation :	Delivery Date :		Order No. :	Finish	Issuer	(Tol) +/- 1 mm	Sequence	Revision	
			PPC	ACS		000001	V1.1		

POLY DETAIL

Poly Type	16mm Clear Poly
No Of Poly Panel	15
Poly m ²	27.67m ²



POLY SIZE

RAL Code	RAL 7016 Anthracite Grey (Textured)	Warehouse	Customer Reference :	Drawing Title : PMC SALES LTD TA ROOFIT					
Colour & Finish of Canopy				Product Name : Simplicity 16					
System Delivery Address		Checked By :	Customer Sign :	 3rd Angle Projection	Page	Date	Page Size	Scale	Drawn
Post Code :			Order No. :		9 OF 9	04/09/23	A4 (L)	NTS	MK
Post Code for installation :	Delivery Date :			Finish	Issuer	(Tol) +/-	Sequence	Revision	
				PPC	ACS	1 mm	000001	V1.1	